



ZW2-SERIES ELECTRIC WORKHOLDING PUMPS

Specification Sheet

▼ ZW2408EE, Electric Workholding Pump



- 0,56 kW induction motor for long life and quiet operation
- 71 to 75 dBA across the pressure range
- 6,8 liter, steel hydraulic oil reservoir offers capacity and cool operation for wide range of applications
- IP54 protection
- Heavy duty bearings extend pump life by reducing heat, improving lubrication and reducing wear
- Replaceable piston check valves increase service life of major pump components
- VE32D solenoid dump valve model available
- Pendant and manual control options for ease of use.

**Durable, reliable,
easy to use**



Gauges

Enerpac offers a complete line of high-quality hydraulic gauges. To ensure the integrity of your system, specify only a genuine Enerpac gauge.





Proudly Distributed By

TRIDENT AUSTRALIA
FLUID SYSTEMS & COMPONENTS

ZW2-SERIES ELECTRIC WORKHOLDING PUMPS

Specification Sheet



ZW2-Series, Electric Workholding Pumps

The ZW2-Series pumps are an extension of the proven Enerpac ZW-Series and utilize the same robust valves, reservoir and pump element as the larger pumps in the family. The two piston design and 0,56 kW induction motor enable productive flow rates, long cycle life and quiet operation. Combined with the efficient, robust, easy to

service pumping element the ZW2 is ideal for manufacturing and shop environments. Multiple valve and control options provide the flexibility to match the pump to a wide range of workholding, pressing, punching and other operations. Compare the ZW2 to the other pumps in the ZW-Series and determine the best pump for the application.

ZW2 Series

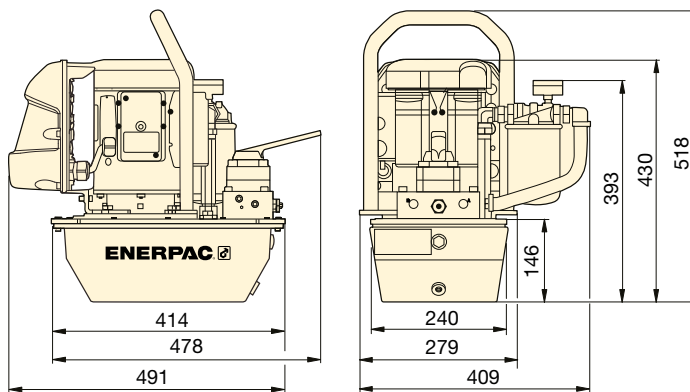


Reservoir Capacity:
6,8 litres

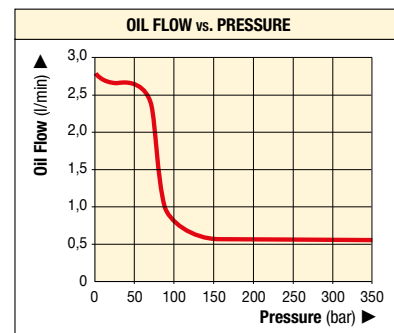
Flow at Rated Pressure:
0,54 l/min

Motor Size:
0,56 kW

Maximum Operating Pressure:
350 bar



ZW2 with Optional Return Line Filter



Used with Cylinder *	Valve Hold Function	Useable Oil Capacity (Litres)	Model Number ¹⁾ Two-Stage Pump	Oil Flow Rate at 50 Hz (l/min)		Valve Type	Valve Operation	Motor Voltage (VAC)	Motor Size (kW)	Sound Level (dBA)	Weight (kg)
				7 bar	350 bar						
S/A		6,8	ZW2108DE (B, I)	2,7	0,54	VE32D	Solenoid w/ Pendant	230	0,56	79	42,4
S/A		6,8	ZW2708ME (B, I) ²⁾	2,7	0,54	VM22	Manual w/o Pendant	230	0,56	79	38,5
D/A	•	6,8	ZW2408ME (B, I) ²⁾	2,7	0,54	VM43	Manual w/o Pendant	230	0,56	79	38,8
D/A	•	6,8	ZW2408EE (B, I) ²⁾	2,7	0,54	VEW43	Solenoid w/ Pendant	230	0,56	79	44,9

* S/A = Single Acting, D/A = Double Acting

¹⁾ "B" suffix model numbers shown are 115 VAC, 1-phase, 50/60 Hz, CE compliant

"I" indicates pump is available in 208-240V, 1-phase, 50/60 Hz with NEMA 6/15 plug, CE compliant

"E" indicates pump is available in 208-240V, 1-phase, 50/60 Hz with European plug, CE compliant

²⁾ All models can be ordered with the following Factory Installed Accessories/Options:

F = Return Line Filter,

G = 0-1000 bar gauge (ø 63,5 mm),

S = Single-stage pump unit

²⁾ Models can be ordered with Pressure Switch (P)

9816GB - Enerpac © 06-2021 ZW2-Series Spec Sheet

www.enerpac.com

ENERPAC