



ZUTP-Series, Electric Tensioning Pumps

ENERPAC
POWERFUL SOLUTIONS. GLOBAL FORCE.

▼ ZUTP-1500E



ZUTP Series

Reservoir Capacity:

4,0 litres

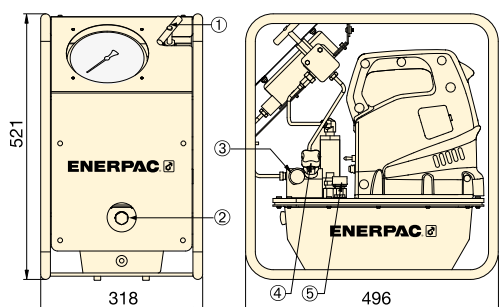
Flow at Rated Pressure:

0,13 l/min

Maximum Operating Pressure:

1500 bar

- Two-stage pump design provides high flow at low pressure for fast system fills and controlled flow at high pressure for safe and accurate operation
- 6 m pendant cord enables motor control from a distance
- Angled 153 mm pressure gauge, with polycarbonate cover, built into a protective metal shroud for improved visibility and protection
- Safety relief valve limits output pressure
- Compact, lightweight and rugged aluminium frame for increased durability and ease of handling.



- ① Release Valve
- ② Sight Glass
- ③ Out Port 1/4" BSPM and BR-150 female coupler
- ④ User Adjustable Relief Valve
- ⑤ Breather

1500 bar HIGH PRESSURE PUMP

Pump Type	Useable Oil Capacity (litres)	Model Number ¹⁾	Pressure Rating (bar)	Output Flow Rate at 0 bar (l/min)	Output Flow Rate at 1500 bar (l/min)	Motor Electrical Specification	Motor Size (kW)	Sound Level (dBA)	Weight (kg)
Two speed	4,0	ZUTP-1500B	1500	2,90	0,13	115 VAC, 1-ph	1,25	89	29,5
	4,0	ZUTP-1500E ²⁾	1500	2,90	0,13	230 VAC, 1-ph ²⁾	1,25	89	29,5
	4,0	ZUTP-1500I ³⁾	1500	2,90	0,13	230 VAC, 1-ph ³⁾	1,25	89	29,5

¹⁾ All models meet CE safety requirements and all TÜV requirements.

²⁾ European plug and CE EMC directive compliant.

³⁾ With NEMA 6-15 plug.



Applications

The Enerpac ZUTP-Series electric pump is ideally suited for use with hydraulic bolt tensioning tools and hydraulic nuts.

Page: 56



1500 bar hoses and couplers

This pump operates at ultra-high pressure, use only the specified fittings and hoses designed for these pressures.

Page: 59



Bolting Theory

See our 'Yellow Pages' for information on torque tightening and tensioning.

Page: 72