

ZA4T-Series, Air Driven Torque Pumps

ENERPAC 
POWERFUL SOLUTIONS. GLOBAL FORCE.

▼ ZA4204TX-ER



- Two-speed operation and high by-pass pressure reduces cycle time for improved productivity
- Glycerin filled pressure gauge with transparent overlays in Nm and Ft.lbs for Enerpac torque wrenches provide a quick torque reference
- Standard Regulator-Filter-Lubricator with removable bowls and auto drain
- Heat exchanger warms exhaust air to prevent freezing and cools the oil
- Ergonomic pendant allows remote operation up to 6 m.

Complete 700 bar Pump-Hose Set ZA4208TX-QRU105

- Fine air pressure adjustment for very accurate torque control
- Improved wrench performance at low pressure
- Standard with THQ706T twin hose.



Z Tough,
Dependable
Innovative
CLASS



Torque Wrench Hoses

Use Enerpac twin safety hoses to connect your torque wrench to the pump.

For 700 bar	Model Nr.
6 m long, 2 hoses	THQ-706T
12 m long, 2 hoses	THQ-712T
For 800 bar	
6 m long, 2 hoses	THC-7062
12 m long, 2 hoses	THC-7122



Gauge and Overlay Kit

Available separately for use with ZA4T-Series pumps: **GT-4015Q** includes gauge and overlays for all S- and W-Series wrenches.

GT-4015 includes gauge and overlays for all SQD and HXD-Series wrenches.



Torque Wrench Pump Selection

For optimum speed and performance see the torque wrench pump and hose selection matrix.

Page: 40

◀ Most hydraulic torque wrenches can be powered by the Enerpac ZA4T-Series torque wrench pump.



Air Driven Torque Wrench Pumps



Pump Applications

The ZA4T-Series pump is best suited to power medium to large size torque wrenches.

Patent-pending Z-Class technology provides high by-pass pressures for increased productivity. Its high power to weight ratio and compact design make it ideal for applications which require easy transport of the pump.

All ZA4T-Series pump models meet CE, CSA and TÜV safety requirements. For further application assistance contact your local Enerpac office.

ATEX 95 Certified

The ZA4T-Series pumps are tested and certified according to the Equipment Directive 94 / 9 / EC "ATEX Directive".

The explosion protection is for equipment group II, equipment category 2 (hazardous area zone 1), in gas and/or dust atmospheres. The ZA4T-Series pumps are marked with: Ex II 2 GD ck T4.



ZA4T Series



Reservoir Capacity:

4,0 - 8,0 litres

Flow at Rated Pressure:

0,8 - 1,0 l/min

Air Consumption:

600 - 2840 l/min

Maximum Operating Pressure:

700 - 800 bar



Accessory Options

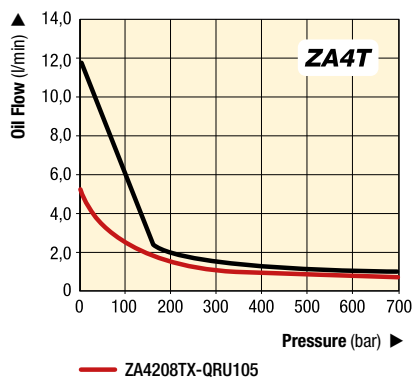
Available by placing the following additional suffix at the end of the model number:

- K** = Skid bar
- M** = 4-wrench manifold
- R** = Roll cage

Page: 53

OIL FLOW VERSUS PRESSURE

6,9 bar dynamic air pressure at 2840 l/min



COMMON PUMP MODELS

For Use With Torque Wrenches	Maximum Operating Pressure (bar)	Model Number	By-Pass Pressure (bar)	Usable Oil Capacity (litres)	Weight (kg)
All S and W-Series	700	ZA4208TX-QRU105 *	200	6,6	58
	700	ZA4204TX-Q	140	2,7	42
	700	ZA4208TX-Q	140	6,6	47
	700	ZA4204TX-QR	140	2,7	46
	700	ZA4208TX-QR	140	6,6	51
All SQD and HXD-Series	800	ZA4204TX-E	140	2,7	42
	800	ZA4208TX-E	140	6,6	47
	800	ZA4204TX-ER	140	2,7	46
	800	ZA4208TX-ER	140	6,6	51

* Standard with THQ706T hose and fine air pressure adjustment for very accurate torque control. Pump weight 45 kg, set weight 58 kg.





Proudly Distributed By

TRIDENT AUSTRALIA
FLUID SYSTEMS & COMPONENTS

ZA4T-Series, Ordering Matrix and Specifications

ENERPAC
POWERFUL SOLUTIONS. GLOBAL FORCE.

▼ This is how a ZA4T-Series pump model number is built up:

Z	A	4	2	08	T	X	-	Q	M	R
1	2	3	4	5	6	7	8	8	8	8
Product Type	Motor Type	Flow Group	Valve Type	Reservoir Size	Valve Operation	Voltage	Must be E or Q	Options	Options	Options

1 Product Type

Z = Pump series

2 Motor Type

A = Air motor

3 Flow Group

4 = 1,0 l/min @ 700 bar

4 Valve Type

2 = Torque Wrench Valve

5 Reservoir Size

04 = 2,7 litres useable oil

08 = 6,6 litres useable oil

6 Valve Operation

T = Air operated valve with pendant

7 Voltage

X = Not applicable

8 Options

E = with 800 bar couplers for use with HXD and SQD-Series or other wrenches

Q = with 700 bar couplers for use with S and W-Series or other wrenches

K = Skid bar

M = 4-wrench manifold

R = Roll cage



How to order your ZA4T-Series torque wrench pump

Model No. ZA4208TX-QMR

700 bar pump for use with Enerpac S- and W-Series and other 700 bar hydraulic torque wrenches, 8 litres reservoir, 4-wrench manifold, and roll cage.

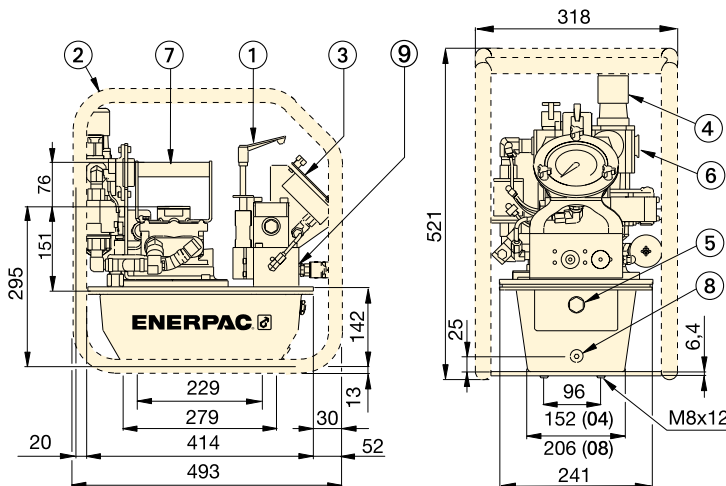
Refer to the selection matrix for optimum wrench, pump and hose combinations.



Torque Wrench Hoses

Use Enerpac twin safety hoses to connect your torque wrench to the pump.

For 700 bar	Model Nr.
6 m long, 2 hoses	THQ-706T
12 m long, 2 hoses	THQ-712T
For 800 bar	
6 m long, 2 hoses	THC-7062
12 m long, 2 hoses	THC-7122



- ① User adjustable relief valve
- ② Roll Cage (optional)
- ③ Gauge with overlays
- ④ Filter/lubricator/regulator
- ⑤ Oil level sight gauge
- ⑥ Air input 1/2" NPTF
- ⑦ Standard handle
- ⑧ Oil drain
- ⑨ 1/4"-18 NPTF Oil outlet

ZA4T-Series Performance							
Output Flow Rate (l/min)				Dynamic Air Pressure Range (bar)	Air Consumption (l/min)	Sound Level (dBA)	Relief Valve Adjustment Range (bar)
7 bar	50 bar	350 bar	700 bar				
11,5	8,8	1,2	1,0	4,0 - 6,9	600 - 2840	85-90	124-700 *
5,4 **	4,8 **	1,1 **	0,8 **	7,0 **			

* Pump type (-Q) shown, (-E) range is 124-800 bar.

** ZA4208TX-QRU105 only.

▼ Most hydraulic torque wrenches can be powered by the Enerpac ZA4T-Series torque wrench pump.



ZA4T-Series, Pump Options



Skid Bar

- Provides greater pump stability on soft or uneven surfaces
- Provides easy two-handed lift.

Accessory Kit * Model Nr.	Can be used on ZA4T-Series torque wrench pumps
SBZ-4	04 and 08 reservoir

* Add suffix **K** for factory installation.
Weight skid bar 2,2 kg.
Ordering Example: **ZA4208TX-QK**



4-Wrench Manifold

- For simultaneous operation of multiple torque wrenches
- Can be factory installed or ordered separately.

Accessory Kit * Model Nr.	Can be used on ZA4T-Series torque wrench pumps
ZTM-E	for 800 bar wrenches
ZTM-Q	for 700 bar wrenches

* Add suffix **M** for factory installation.
Weight manifold 4,5 kg.
Ordering Example: **ZA4208TX-QM**

ZA4T Series



Reservoir Capacity:
4,0 - 8,0 litres

Flow at Rated Pressure:
0,8 - 1,0 l/min

Air Consumption:
600 - 2840 l/min

Maximum Operating Pressure:
700 - 800 bar



700 bar Spin-on Couplers

Model-Nr: TH-630 male coupler
TR-630 female coupler

- Mounted on:
 - Torque wrench pumps with suffix "Q"
 - S and W-Series wrenches
 - THQ-Series hoses
 - 4-Wrench manifold ZTM-Q.



800 bar Lock-ring Couplers

Model-Nr: CMF-250 male coupler
CFF-250 female coupler

- Mounted on:
 - Torque wrench pumps with suffix "E"
 - HXD and SQD-Series wrenches
 - THC-Series hoses
 - 4-Wrench manifold ZTM-E.



Roll Cage

- Protects pump
- Provides greater pump stability

Accessory Kit * Model Nr.	Can be used on ZA4T-Series torque wrench pumps
ZRC-04	04 and 08 reservoir

* Add suffix **R** for factory installation.
Roll cage weight 3,4 kg.
Ordering Example: **ZA4208TX-QR**