



Valves Ltd

SAFETY RELIEF VALVE (L.P.)

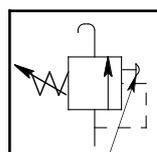
TYPES: **S25, S37, S50, S75, S100**

- **PRESSURE EQUIPMENT DIRECTIVE (PED) 2014/68/EU APPROVED.**
- **STAINLESS STEEL (316 / 1.4404)**
- **MATERIAL OPTION: BRASS.**
- **SUITABLE FOR LIQUID OR GAS USE.**
- **VENTING TO ATMOSPHERE.**
- **ALL DIMENSIONS IN INCHES.**

- It is NOT recommended to operate this valve below 10 psi. (0.7 Bar).
- Stated pressure is maximum setting. Lower settings are available by using a range of different springs. Please confirm when ordering.
- Leaktight when 90% of "set pressure" is applied.
- Repeatability ±3% of "set pressure".
- Re-seating within 7.5% of "cracking pressure". (Pre-set cracking pressure is optional) State details when ordering.

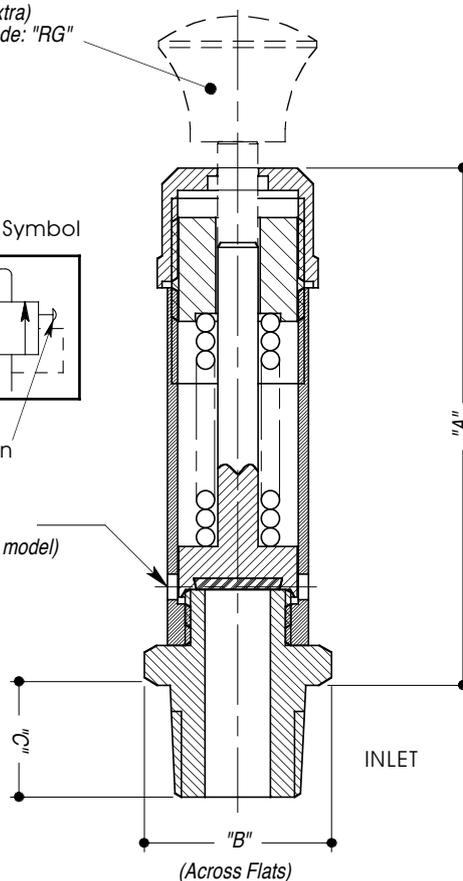
Relieving Gear
(Optional extra)
Ordering code: "RG"

Circuit Symbol



"RG" - Option

Venting Holes
(2 rows on S25 model)



SAFETY RELIEF VALVE SPRING RANGE TABLE	
Valve Type: S25, BS25	0 - 2B , 2 - 10B , 8 - 15B , 13 - 26B , 23 - 40B (B = Bar)
Valve Type: S37, BS37	0.7 - 2B , 2 - 7B , 6 - 12B , 11 - 25B , 20 - 40B (B = Bar)
Valve Type: S50, BS50	0.7 - 2B , 2 - 7B , 6 - 12B , 11 - 25B , 20 - 40B (B = Bar)
Valve Type: S75, BS75	0.7 - 2B , 2 - 7B , 6 - 12B , 11 - 25B , 20 - 40B (B = Bar)
Valve Type: S100	0.7 - 10B , 8 - 18B (B = Bar)

Select the Spring Range from the above table and add the number in **'BOLD'** text (e.g. **12B**) to the end of the Model Code.

TECHNICAL SPECIFICATION						ORDERING EXAMPLE	
Material Option (non-std)	B = Brass					N/A	_____
Valve Type:	S25	S37	S50	S75	S100	S25	
Porting / Connection Options:	P = BSP (Parallel) N = NPT (Taper)					N	
Valve Options:	RG = Relieving Gear					RG	
Pressure/Spring Options:	See table above					10B	
Max. Working Press: Liquid/Gas	580 psi				260 psi		
Orifice Size:	Ø5mm	Ø9.8mm	Ø9.8mm	Ø9.8mm	Ø20.8mm		
Port Size:	1/4"	3/8"	1/2"	3/4"	1.0"		
Valve Seat Material:	Stainless Steel - 316/1.4404						
Seal Material:	Viton (other materials available by request)						
Dry Weight: (kg)	0.2	0.25	0.3	0.35	1.0		
Working Temperature Range:	-10°C to +160°C						
Dimension (ins)	Length "A"	2.50"	3.30"	3.30"	3.30"	4.95"	
	"B" A/Flats	0.750"	1.01"	1.01"	1.30"	1.86"	
	Length "C"	0.50"	0.60"	0.60"	0.75"	1.00"	