



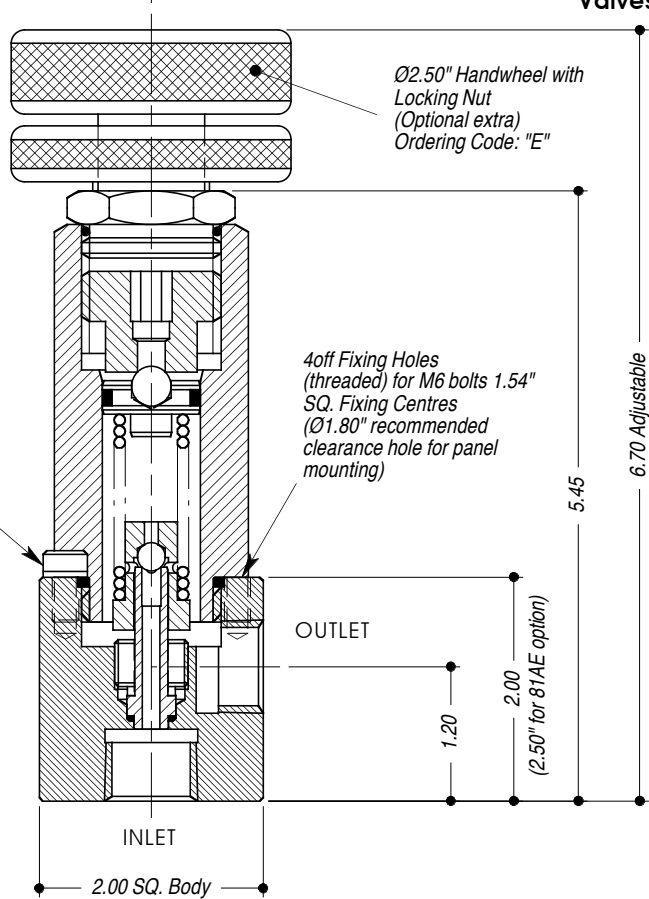
Valves Ltd

## RELIEF VALVE (H.P.) TYPE: RL50

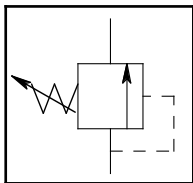
- PRESSURE EQUIPMENT DIRECTIVE (PED) 2014/68/EU APPROVED.
- STAINLESS STEEL (316 / 1.4404)
- SUITABLE FOR LIQUID USE.
- ALL DIMENSIONS IN INCHES

- Leaktight when 90% of "set pressure" is applied.
- Repeatability  $\pm 5\%$  of "set pressure".
- Re-seating within 20% of "cracking pressure".  
(Pre-set cracking pressure is optional)  
State details when ordering.
- Recommended MAXIMUM back pressure 1,000 psi. (70 Bar).

Locking Screw and Washer  
(can be removed when  
mounting valve to a panel)



Circuit Symbol



TECHNICAL SPECIFICATION		ORDERING EXAMPLE
Valve Type:	<b>RL50</b>	<b>RL50</b>
Porting / Connection Options: (*AE" threads fitted only to the INLET port)	<b>P</b> = BSP (Parallel) <b>N</b> = NPT (Taper) <b>56AE</b> (3/8" O.D. Tube) <b>81AE</b> (9/16" O.D. Tube)	<b>N</b>
Autoclave Outlet Port Options:	<b>50N</b> (1/2" NPT)	---
Valve Options:	<b>E</b> = Handwheel (external) Adjustment	---
Working Media: (standard)	Oil / Water Glycol Duty (no ordering code req'd)	---
Working Media: (options)	<b>WD</b> = Water Duty <b>SWD</b> = Sea Water Duty	---
Press. Range:	<b>200 - 1.6K psi, 1 - 5K psi</b> <b>4K - 15K psi Max W.P.</b>	<b>5K</b>
Orifice Size:	Ø6.0mm    Ø4.1mm	
Port Size:	1/2"	
Valve Seat Mat'l: (standard)	Stainless Steel - 440C (liquid use)	
Valve Seat Mat'l: (options)	1.4542 St.Steel - Water Duty    Inconel - Sea Water Duty	
Seal Material:	Viton (other materials available by request)	
Dry Weight: (kg)	1.75	
Working Temperature Range:	-10°C to +120°C	
Flow Rate:	Contact factory for details	

**Technical Specification Notes:-**

\* Other materials available (Monel, Inconel, Hastelloy) subject to PED approval.