



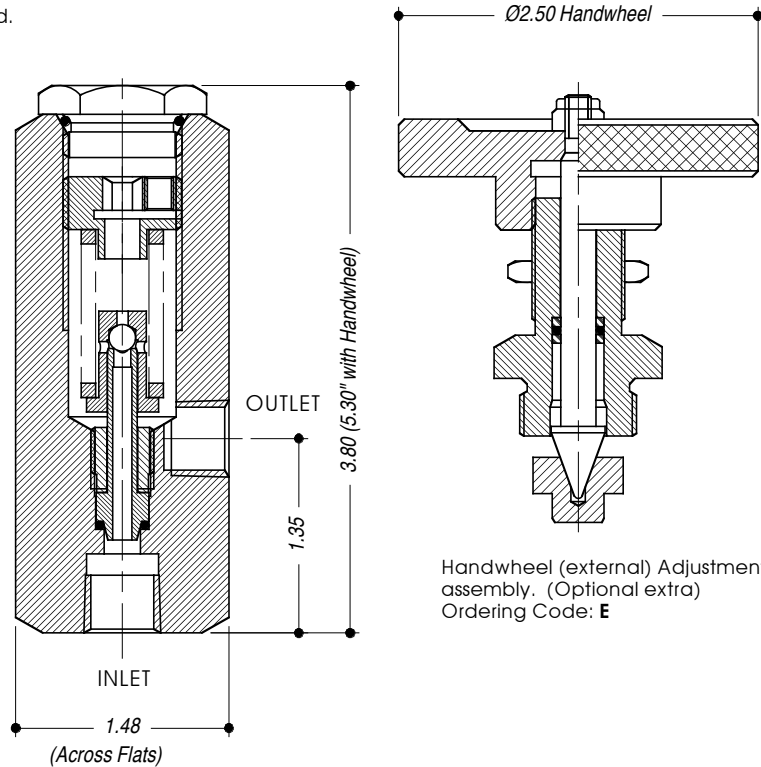
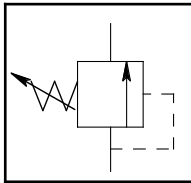
Valves Ltd

RELIEF VALVE (H.P.) TYPES: RL25, RL37

- PRESSURE EQUIPMENT DIRECTIVE (PED) 2014/68/EU APPROVED.
- STAINLESS STEEL (316 / 1.4404)
- SUITABLE FOR LIQUID USE.
- ALL DIMENSIONS IN INCHES.

- Leaktight when 90% of "set pressure" is applied.
- Repeatability $\pm 5\%$ of "set pressure".
- Re-seating within 20% of "cracking pressure".
(Pre-set cracking pressure is optional)
State details when ordering.
- Recommended MAXIMUM back pressure 1,000 psi. (70 Bar).
- Mounting details for the **RL25-E** only.
Hole panel dia: $\varnothing 0.75"$
Panel thickness: 0.125" to 0.250"

Circuit Symbol



Handwheel (external) Adjustment assembly. (Optional extra)
Ordering Code: E

TECHNICAL SPECIFICATION			ORDERING EXAMPLE
Valve Type:	RL25	RL37	RL25
Porting / Connection Options: (*AE" threads fitted only to the INLET port)	P = BSP (Parallel) N = NPT (Taper) 44AE (1/4" O.D. Tube) 56AE (3/8" O.D. Tube) 81AE (9/16" O.D. Tube)		N
Autoclave Outlet Port Options:	25N (1/4" NPT)	37N (3/8" NPT)	---
Valve Options:	E = Handwheel (external) Adjustment		---
Working Media: (std)	Oil / Water Glycol Duty (no ordering code req'd)		---
Working Media: (options)	WD = Water Duty SWD = Sea Water Duty		---
Press. Range:	0.4K - 1.6K psi, 1K - 4K psi, 3K - 9K psi, 8K - 15K psi Max W.P.		9K
Orifice Size:	$\varnothing 0.125"$		
Port Size:	1/4"	3/8"	
Valve Seat Mat'l: (standard)	Stainless Steel - 440C (liquid use)		
Valve Seat Mat'l: (options)	1.4542 St.Steel - Water Duty Inconel - Sea Water Duty		
Seal Material:	Viton (other materials available by request)		
Dry Weight: (kg)	1.2	1.2	
Working Temperature Range:	-10°C to +120°C		
Flow Rate:	Contact factory for details		

Technical Specification Notes:-

* Other materials available (Monel, Inconel, Hastelloy) subject to PED approval.