



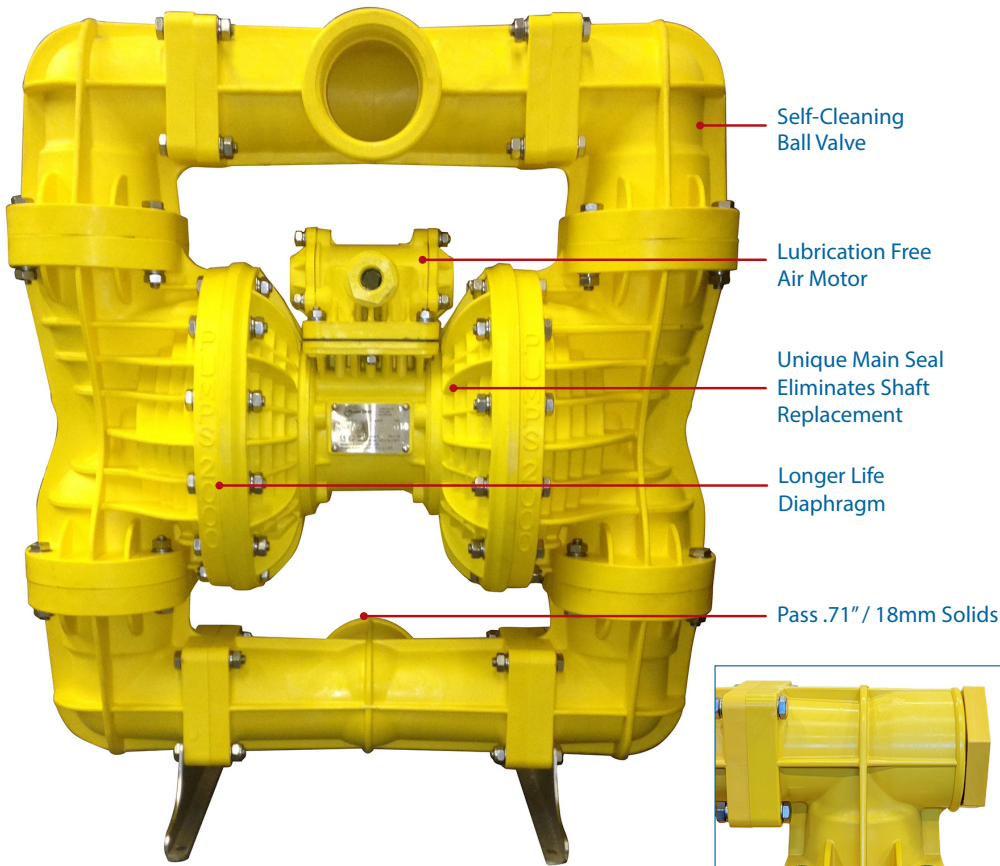
Proudly Distributed By

**TRIDENT** AUSTRALIA  
FLUID SYSTEMS & COMPONENTS



## Pneumatic Diaphragm Pump

P75BY - 3" / 75mm Ball Valve



Self-Cleaning Ball Valve

Lubrication Free Air Motor

Unique Main Seal Eliminates Shaft Replacement

Longer Life Diaphragm

Pass .71" / 18mm Solids



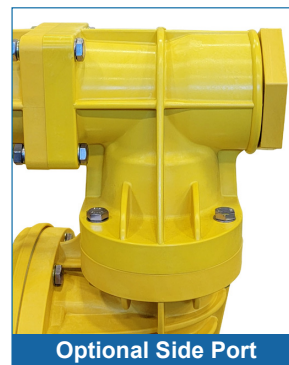
### Red Series - P75BR

FRAS (Fire Retardant Antistatic) Nylon Body- Hytel Elastomers- For Explosive Environment- ATEX M1 Rating



### Blue Series - P75BB

Polypropylene Body- Santoprene Elastomers- For Acids, Caustics, Chemicals- ATEX M2 Rating



Optional Side Port

**Yellow Series**  
General Purpose  
Nylon Body- Hytel Elastomers  
ATEX M2 Rating

*Other materials are available to suit your specific application*

### Features

- > Patented design components
- > Simple design with fewer wear parts
- > Large particle handling
- > Low air consumption
- > Lightweight
- > Rugged & impact resistant
- > Lubrication free
- > No end of life – can always be repaired
- > ATEX M1 and M2 certified
- > Low noise levels

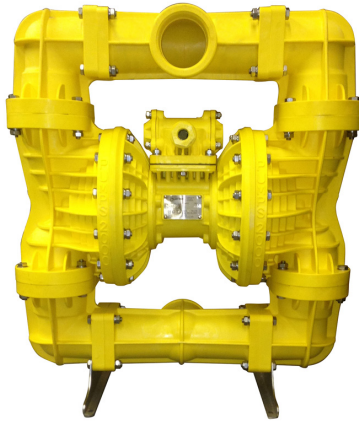
### Benefits

- > Increased productivity
- > Reduced costs – pays for itself
- > Increased reliability & longer life
- > Less downtime & maintenance
- > Easier to diagnose & repair
- > Save on energy costs – more air available for other equipment
- > Fewer injuries
- > No pollutants (oil free)
- > Safe for hazardous environments



Pumps 2000 Pneumatic Diaphragm Pump

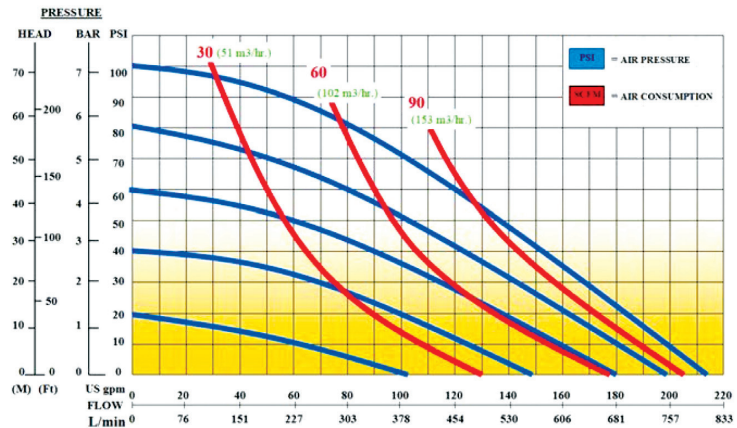
P75BY - 3" / 75mm Ball Valve



**Ball Valve**

"Pumps 2000" pneumatic diaphragm pumps were specifically designed for harsh mining duties to outperform and outlast the competition due to a number of patented design features. The light weight feature provides ease of mobility and reduces the risk of injury. Low air consumption and long lasting lubrication free parts means low cost running and reduced maintenance. **Ideally suited for pumping applications in all industries.**

**Performance Curve**



**AIR PRESSURE:** Tested at 100 psi / 690 kPa (not to exceed 125 psi / 861 kPa)

**FLOW RATE:** 0-213 gpm / 806 Lpm

**FLUID CONNECTION:** 3" / 75mm (Internal Thread)

**AIR INLET PORT:** 1/2" / 15mm (Internal Thread)

**EXHAUST PORT:** 3/4" / 19mm (Internal Thread)

**DELIVERY PRESSURE:** Tested to 87 psi / 600 kPa

**SUCTION LIFT:** Tested to 19' / 6m dry and 31' / 9m wet

**SOLIDS HANDLING:** .71" / 18mm

**PUMP WEIGHT:** Yellow Series – 65 lbs / 29kg  
Red (FRAS) Series – 75 lbs / 34kg  
Blue Series – 57 lbs / 26kg

**Pumps 2000 (International)**  
6-12 Burleigh Street  
Toronto 2283  
N.S.W., Australia  
Tel: +61 2 49599400  
Fax: +61 2 49504927  
info@pumps2000.com

**Pumps 2000 (America)**  
1721 Main Street  
Pittsburgh, PA 15215  
Tel: 412.963.9200  
1.800.245.6211  
Fax: 412.963.9214  
info@pumps2000america.com

**Pumps 2000 (Europe)**  
Sunderland  
Tyne & Wear, SR1 2NQ  
United Kingdom  
Tel: +44 (0) 191 5675488  
Fax: +44 (0) 191 5678512  
info@pumps2000europe.com

