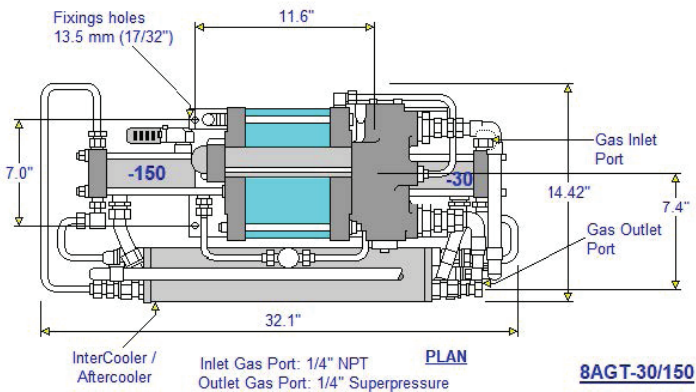


R1881



TRIDENT AUSTRALIA

FLUID SYSTEMS & COMPONENTS



High Volume High Pressure Gas Booster

Trident Australia's High Pressure Gas Booster built into a 316SS frame.

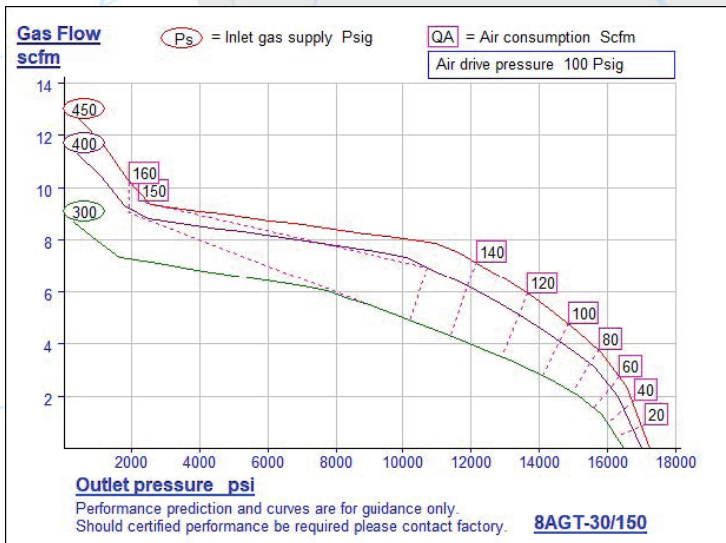
Rental Number: R1881

Unit Specifications

- Gas inlet: JIC-6 Male
- HP Gas Out: 1/4-inch AE MP Female
- Air inlet: 3/4-inch NPT Female
- Inlet Gauge Range: 5,000 psi
- Outlet Gauge Range: 20,000 psi
- Isolation Valve: Yes
- Vent Valve: Yes
- Pressure Relief Valve: Yes

Pump Specifications

- Model: 8AGT-30/150
- Displacement/Stroke: 6.2 in³
- Max. Outlet Pressures: 20,000 psi
- Max. Gas Inlet: 500 psi
- Min. Gas Inlet: 250 psi



All of Trident Australia's rental equipment is checked and serviced before every rental job to ensure you get the best product and experience every time

WHAT YOU NEED.
WHEN YOU NEED IT.



15 Magnet Road,
Canning Vale WA 6155 | Australia
+61 8 9456 1300 phone
www.tridentaustralia.com.au