



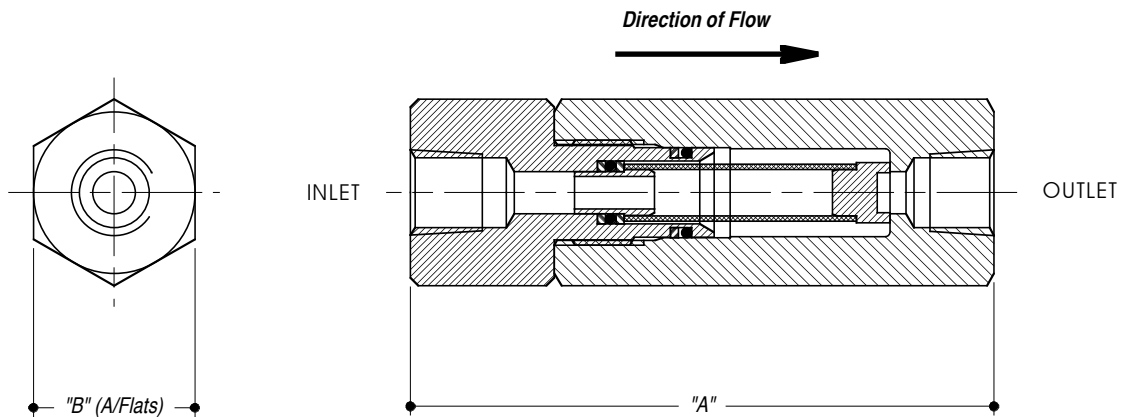
## "IN-LINE" FILTER

TYPES: **F25, F37, F50, F75, F100, F125, F150, F200**

- **STAINLESS STEEL (316 / 1.4404)**
- **SUITABLE FOR LIQUID OR GAS USE.**
- **ALL DIMENSIONS IN INCHES.**



Valves Ltd



TECHNICAL SPECIFICATION									ORDERING EXAMPLE
Filter Type:	F25	F37	F50	F75	F100	F125	F150	F200	F25
Porting / Connection Options:	P = BSP (Parallel)    N = NPT (Taper)								N
Micron Rating:	2.5, 5, 10, 20, 50, 100, 200 M (Microns)								2.5 M
Max. Working Pressure - Liquid	12Kpsi				9Kpsi	6Kpsi			12K
Max. Working Pressure - Gas	10Kpsi	6Kpsi	10Kpsi	6Kpsi	4Kpsi	3Kpsi			
Port Size:	1/4"	3/8"	1/2"	3/4"	1.0"	1.1/4"	1.1/2"	2.0"	
Seal Material:	Viton (other materials available by request)								
Dry Weight (kg)	0.35	0.30	1.0	0.8	1.4	4.5	4.3	4.1	
Working Temperature Range:	-10°C to +120°C								
Filter Area (sq.ins)	1.3	1.3	4.5	4.5	6.5	15.5	15.5	15.5	
Filter Element Material:	Stainless Steel (316/1.4404) Rigid Mesh								
Max Diff. Press (DP) Bar (element)	20	20	10	10	10	10	10	10	
Dimension (ins) - Length "A"	3.50"	3.50"	4.50"	4.50"	5.50"	7.80"	7.80"	7.80"	
Dimension (ins) - "B" (A/Flats)	1.01"	1.01"	1.48"	1.48"	1.86"	Ø3.0"	Ø3.0"	Ø3.0"	