

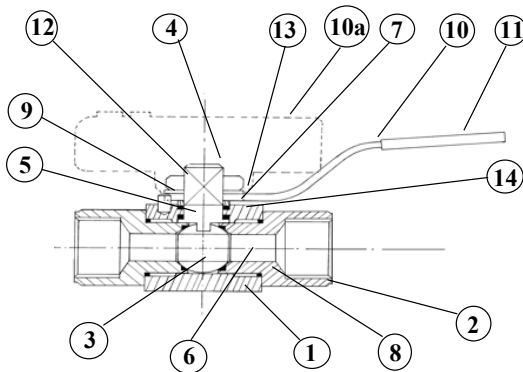
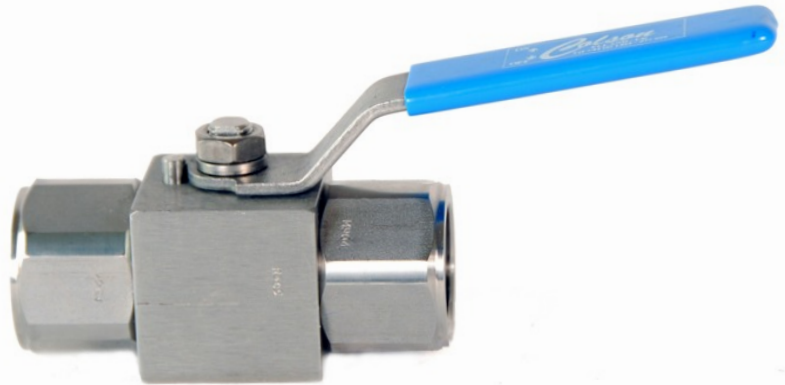


BHSX Series HIGH PRESSURE Ball Valves

10,000 psi [Pn 690] Rated

DESIGN FEATURES

- * Robust HIGH pressure design
- * Internally loaded blow-out proof stem
- * Floating ball for positive shut-off
- * LOW operating torque
- * Smooth 1/4 turn action
- * Flexible 3 piece design
- * 316 ss to NACE specification
- * Range of end connections
- * Replaceable seats & seals
- * Ease of maintenance
- * Full material traceability
- * Choice of lever or pointer handles
- * Panel mounting option
- * Can be easily actuated
- * Locking kit available



ITEM	COMPONENT	MATERIAL
1	BODY	316 S 11 *
2	END CONNECTORS	316 S 11 *
3	BALL	316 S 11 *
4	STEM	316 S 11 *
5	STEM SEAL	PVDF
6	SEAT	PEEK
7	TOP SEAL	RTFE
8	BODY SEALS	PTFE/VITON
9	PIN	STAINLESS STEEL
10	LEVER HANDLE	STAINLESS STEEL
10	POINTER HANDLE	MAZAK 3
11	HANDLE SLEEVE	PVC
12	NUT	A4 ss
13	WASHER	A4 ss
14	SPACER	316 SS

Sample Part Number BHSX1015NFS

1/2" NPT 316 St. St. Ball Valve, 10mm Bore - 10,000 psi/Pn 690 Rated fitted with Lever handle.

VALVE PART NUMBER and ORDERING TABLE						
Valve Series	Bore	Size	Threads	* Material	Handle	Options
BHSX 10,000 psi/Pn690	10	08 - 1/4"	NF - NPT Female NM - NPT Male PF - BSPP Female PM - BSPP Male TF - BSPT Female TM - BSPT Male	D - 31803 Duplex H - Hasteloy J - 6Mo M - Monel S - 316 SS T - Titanium U - 32760 S.Duplex	St St Lever Handle as Standard	-SR Spring Return -DA Double Acting -EA Electric -PM Panel Mount -LK Locking -ACT Actuator use
		10 - 3/8"				
		15 - 1/2"				
	13	20 - 3/4"				
	19	25 - 1"				

* Valve Part Number for FULL BORE - USE BORE size equal to thread size e.g. BHSX1015NFS

* Valves have Stainless Steel Lever Handles as standard. Alloy valves will be round bodied in lieu of Square.

* We reserve the right to change specifications stated in this leaflet at any time.