

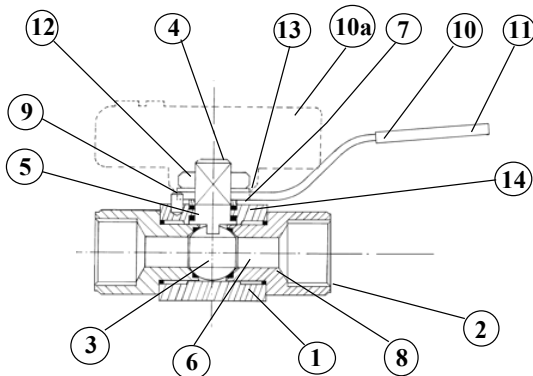
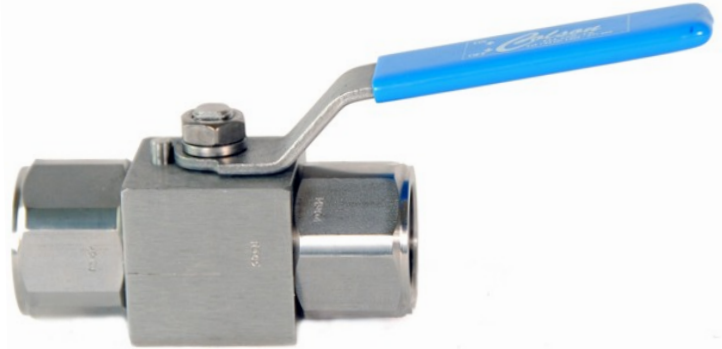


## BH Series BALL VALVES

1,000 psi [Pn 69] Rated 6,000 psi [Pn 414] Rated

### DESIGN FEATURES

- \* Robust HIGH pressure design
- \* Internally loaded blow-out proof stem
- \* Floating ball for positive shut-off
- \* LOW operating torque
- \* Smooth 1/4 turn action
- \* Flexible 3 piece design
- \* 316 ss to NACE specification
- \* Wide range of end connections
- \* Replaceable seats & seals
- \* Ease of maintenance
- \* Full material traceability
- \* Choice of lever or pointer handles
- \* Panel mounting option
- \* Can be easily actuated
- \* Locking kit available



ITEM	COMPONENT	MATERIAL
1	BODY	316 S 11 *
2	END CONNECTORS	316 S 11 *
3	BALL	316 S 11 *
4	STEM	316 S 11 *
5	STEM SEAL	RTFE
6	SEATS	PTFE / PVDF
7	TOP SEAL	RTFE
8	BODY SEAL	PTFE
9	PIN	STAINLESS STEEL
10	LEVER HANDLE	STAINLESS STEEL
10	POINTER HANDLE	MAZAK 3
11	HANDLE SLEEVE	PVC
12	NUT	A4 ss
13	WASHER	A4 ss
14	SPACER	316 SS

### Sample Part Number BHSP1015NFS-LK

1/2" NPT Female 316 St. St. Ball Valve, 10mm Bore - 6,000 psi/Pn 414 Rated fitted with Lever handle and Locking Kit.

VALVE PART NUMBER and ORDERING TABLE						
Valve Series	Bore	Size	Threads	* Material	Handle	Options
BHSA 1,000 psi/Pn 69	10	08 - 1/4"	NF - NPT Female	A - Ali-Bronze C - C/Steel D - 31803 Duplex H - Hasteloy J - Incoloy J - 6MO M - Monel S - 316 SS T - Titanium U - 32760 S.Duplex	-PH Pointer  -TH StSt 'T' Handle	-SR Spring Return -DA Double Acting -EA Electric -PM Panel Mount -Lk Locking -ACT Actuator use -EP Ends Pinned
		10 - 3/8"	NM - NPT Male			
		15 - 1/2"	PF - BSPP Female PM - BSPP Male			
* BHSP 6,000 psi/Pn414	13	20 - 3/4"	TF - BSPT Female			
		25 - 1"	TM - BSPT Male			
		25 - 1"				
		32 - 1 1/4"				
	19	32 - 1 1/4"				
		38				
	32	40 - 1 1/2"				
	38	50 - 2"				

All Valves have Stainless Steel Lever Handles as standard.

\* Note that valves above 1" are downrated i.e. 1 1/4" is 4,000psi, 1 1/2" & 2" are 3,000psi maximum.

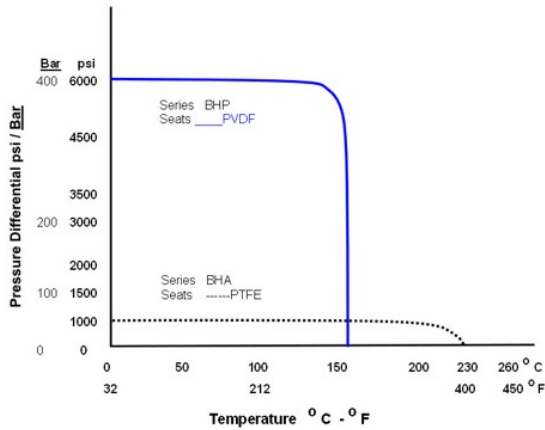
Valve Part Number for FULL BORE - USE BORE size equal to thread size e.g. BHSA1925NFS becomes BHSA2525NFS.



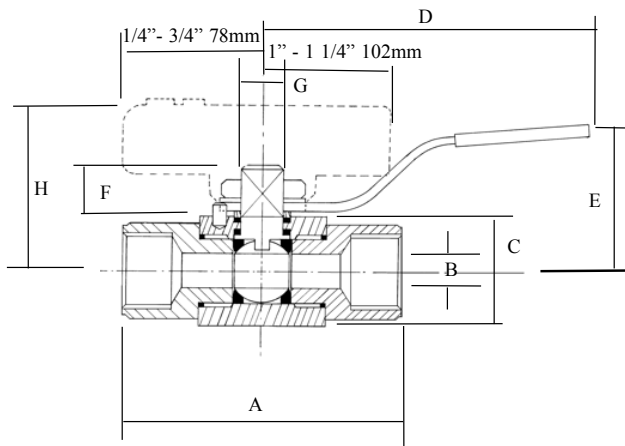
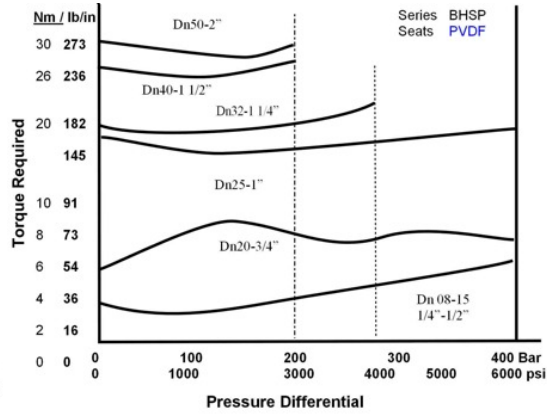
# 'BH' Series BALL VALVES

## TECHNICAL SPECIFICATIONS SHEET

PRESSURE/TEMPERATURE GRAPH

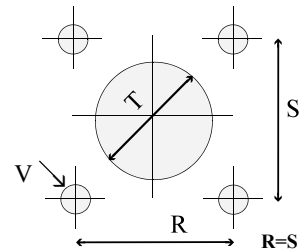


TORQUE INFORMATION



### PANEL MOUNT DETAILS \*

\* Option to be specified when ordering



1/4" - 1/2" VALVES ARE M4 x 6 mm DEEP  
3/4" VALVES ARE M5 x 6 mm DEEP  
1" - 1.1/4" VALVES ARE M6 x 8 mm DEEP  
1.1/2" - 2" VALVES ARE M8 x 8 mm DEEP

Valve Size	VALVE SIZES and DIMENSION TABLE [Inch Dims rounded for clarity]											WEIGHT Kgs	CV US Gpm		
	A		B ø	C Sq	D	E	F	G øx A/F	H	Panel Mount Dimensions					
	BSPP	TAPER								R & S	ISO			T ø	V ø
08 - 1/4"	71	71	10	32	115	45	14	3/8"-7.0	49	25.5	N/A	30	4.5	0.45	7.5
10 - 3/8"	75	77	10	32	115	45	14	3/8"-7.0	49	25.5	N/A	30	4.5	0.46	7.5
15 - 1/2"	82	85	10	32	115	45	14	3/8"-7.0	49	25.5	N/A	30	4.5	0.50	7.5
20 - 3/4"	90	90	12.7	38	115	50	12	3/8"-7.0	52	25.5	F03	30	5.5	0.70	12.0
25 - 1"	109	111	20	50	165	60	22	12 x 9.0		35.4	F05	40	6.5	1.45	32.0
32-1 1/4"	117	121	25	63/60ø	165	65	17	12 x 9.0		35.4	F05	44	6.5	1.75	46.0
40-1 1/2"	135	135	32	70 ø	165	70	33	3/4"x14		49.5	F07	44	8.5	3.0	80.0
50 - 2"	160	160	38	82 ø	165	76	27	3/4"x14		49.5	F07		8.5	3.5	105.0

We reserve the right to change specifications stated in this leaflet due to our continuing programme of development. For FULL BORE Valves, use the dimensions of the next larger size. ie for 1.1/4" Full Bore use 1.1/2" dimensions. Valve seats are tested at 10% above rated pressure [BS EN12266-1]. Using any higher test pressure will damage the seats. Use the valve half open on system tests above seat rated pressures. 1.1/2" and 2" valves are of 2 piece construction. Dimensions are the same for all pressure rating ie BHSA and BHSP Series.

BHseries-09/09