

Air-Driven, High Pressure Liquid Pump

Series ASL150-01

Single-Acting, Single Piston Air Drive

Technical Data: Liquid Side Specifications

- Service: Oil, Water or Water/Oil mixture and other fluids depending on material compatibility
- Maximum Outlet Pressure: 21,500 psi (1,482 bar)
- Air to Liquid Pressure Ratio: 1:150
- Volume Displacement Per Stroke: 0.39 in³ (6.4 cm³)
- Inlet Connection: 1/2" FNPT
- Outlet Connection: Parker Autoclave F250C-1/4" Female High Pressure

Technical Data: Air Side Specifications

- Air Drive Pressure Range: 15-150 psi (1-10 bar) *See note
- Nominal air pressure required for 21,500 psi (1,482 bar) output pressure is 145 psi (10 bar)
- Inlet Port: 1/2" FNPT
- Pilot Port: 1/8" FNPT (unregulated air)
- Exhaust Port (muffler removed): 1/2" FNPT
- Air Consumption @ 90 psi: 69 SCFM
- Prelubricated at Factory

General Specifications

- Maximum Operating Temperature: 0-140° F (-18° to 60° C)
- Net Weight: 32 lbs. (14.5 kg)
- Net Weight: 41 lbs. (18.6 kg)
- Pressure Head: 15-5 PH Stainless Steel
- Stainless steel plunger utilizing a proprietary multi-layer carbon based coating with diamond like carbon exterior layer - 3 times the hardness of stellite with a coefficient of friction equal to/less than PTFE
- Check Valve Glands: 316 Stainless Steel
- Liquid Seal: UHMWPE U-Cup with Elgiloy Spring Energizer
- Air Drive Seals: Buna N

Note: Maximum air drive pressure is limited by maximum output pressure.



Single-Acting, Single Piston Air Drive
Bottom Inlet Shown



MADE IN THE U.S.A.



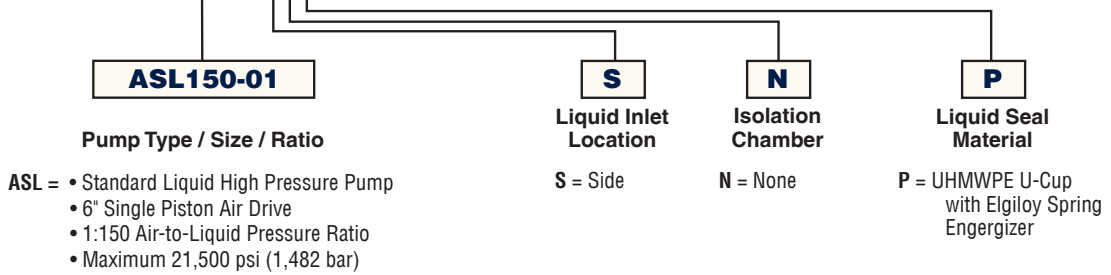
Proudly Distributed By

TRIDENT AUSTRALIA
FLUID SYSTEMS & COMPONENTS

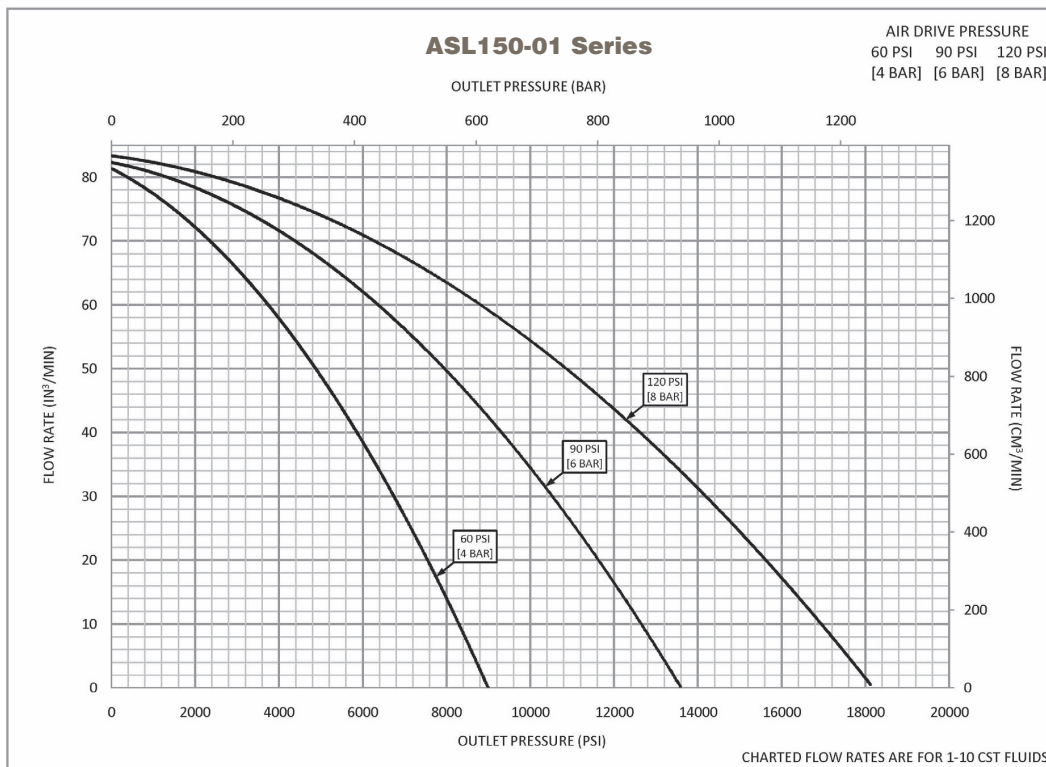
Ordering Guide:

For complete information on available pump options, contact Parker Autoclave Engineers.

Typical catalog number: **ASL150-01SNP**



Flow Rate vs. Outlet Pressure:



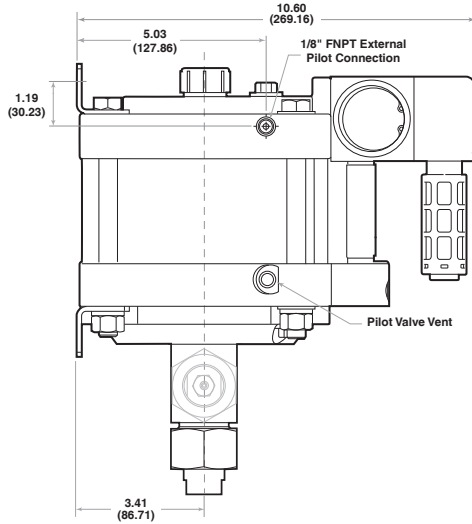
Actual flow rates will vary depending on air flow capacity, downstream flow restrictions, and fluid type.



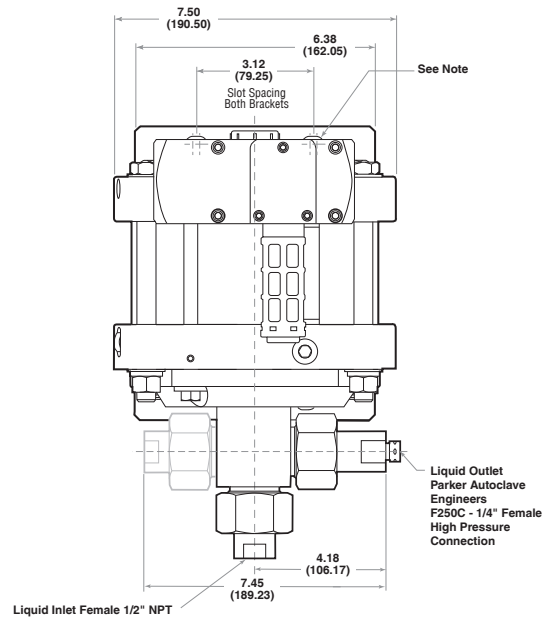
Proudly Distributed By

TRIDENT AUSTRALIA
FLUID SYSTEMS & COMPONENTS

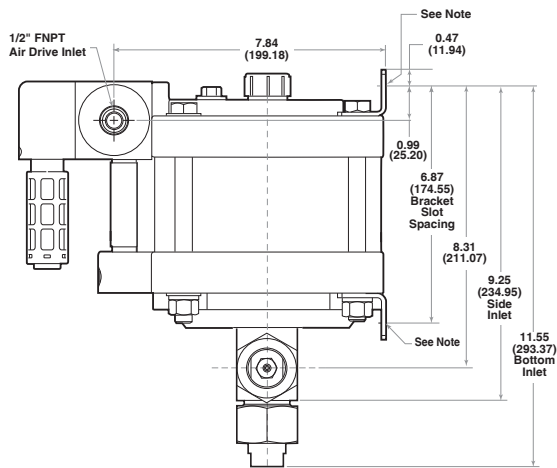
Dimensional Data:



Left View



Front View



Right View

Note:

Each Mounting Bracket includes (2) x 13/32" (10.32) Slots for 3/8" Bolts.
Bottom Inlet Pump Head and Side Inlet Pump Head are mutually exclusive.
All dimensions are for reference only and are subject to change without notice.
Primary Dimensions: Inches
Secondary Dimensions: (Millimeters)

Air-Driven, High Pressure Liquid Pump - Series AS1150-01

Technical Specifications & Performance Data