

Proudly Distributed By

TRIDENT AUSTRALIA
FLUID SYSTEMS & COMPONENTS



AFL series

air-driven high flow
liquid pumps

Air-Driven, High Pressure Liquid Pump

Series AFL35-1D

Double-Acting, Single Ended, Single Piston Air Drive

Technical Data: Liquid Side Specifications

- Service: Oil, Water or Water/Oil mixture and other fluids depending on material compatibility
- Maximum Outlet Pressure: 5,600 psi (386 bar)
- Air to Liquid Pressure Ratio: 1:39
- Isolation Chamber (prevents process contamination of air section): Standard
- Volume Displacement Per Stroke: 6.02 in³ (98.7 cm³)
- Inlet Connection: 1" NPT
- Outlet Connection: Parker Autoclave Engineers SF562CX10-9/16" Female Medium Pressure

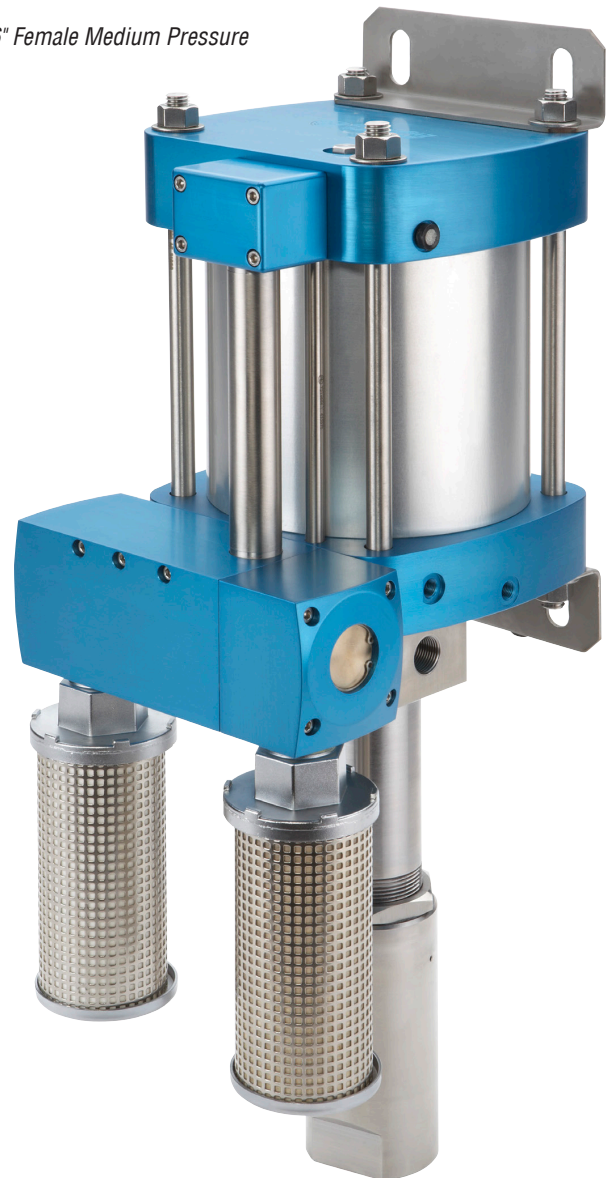
Technical Data: Air Side Specifications

- Air Drive Pressure Range: 15-150 psi (1-10 bar) *See note
- Nominal air pressure required for 5,600 psi (386 bar) output pressure is 144 psi (9.9 bar)
- Inlet Port: 3/4" FNPT
- Pilot Port: 1/8" FNPT (unregulated air)
- Exhaust Port (muffler removed): 1" NPT
- Max Air Consumption @ 90 psi: 167 SCFM
- Prelubricated at Factory

General Specifications

- Maximum Operating Temperature: 0-140° F (-18° to 60° C)
- Net Weight: 51.8 lbs. (23.5 kg)
- Pressure Head: 15-5 PH Stainless Steel
- Stainless steel plunger utilizing a proprietary multi-layer carbon based coating with diamond like carbon exterior layer - 3 times the hardness of stellite with a coefficient of friction equal to/less than PTFE
- Check Valve Glands: 316 Stainless Steel
- Liquid Seal: UHMWPE U-Cup with FKM O-rings
- Air Drive Seals: Buna N

Note: Maximum air drive pressure is limited by maximum output pressure.



Double-Acting, Single Piston Air Drive



MADE IN THE U.S.A.



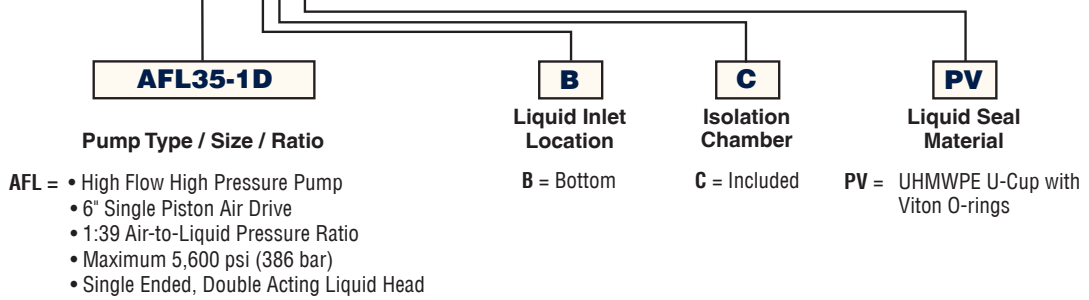
Proudly Distributed By

TRIDENT AUSTRALIA
FLUID SYSTEMS & COMPONENTS

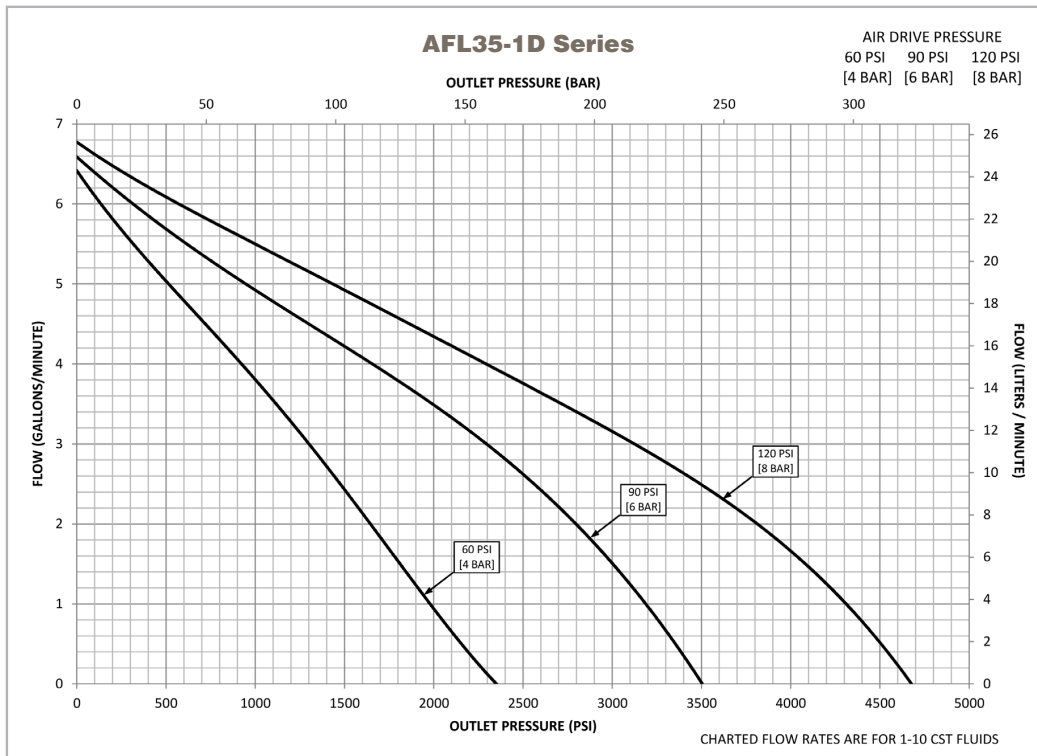
Ordering Guide:

For complete information on available pump options, contact Parker Autoclave Engineers.

Typical catalog number: **AFL35-1DBCVP**



Flow Rate vs. Outlet Pressure:



Actual flow rates will vary depending on air flow capacity, downstream flow restrictions, and fluid type.

Technical Specifications & Performance Data

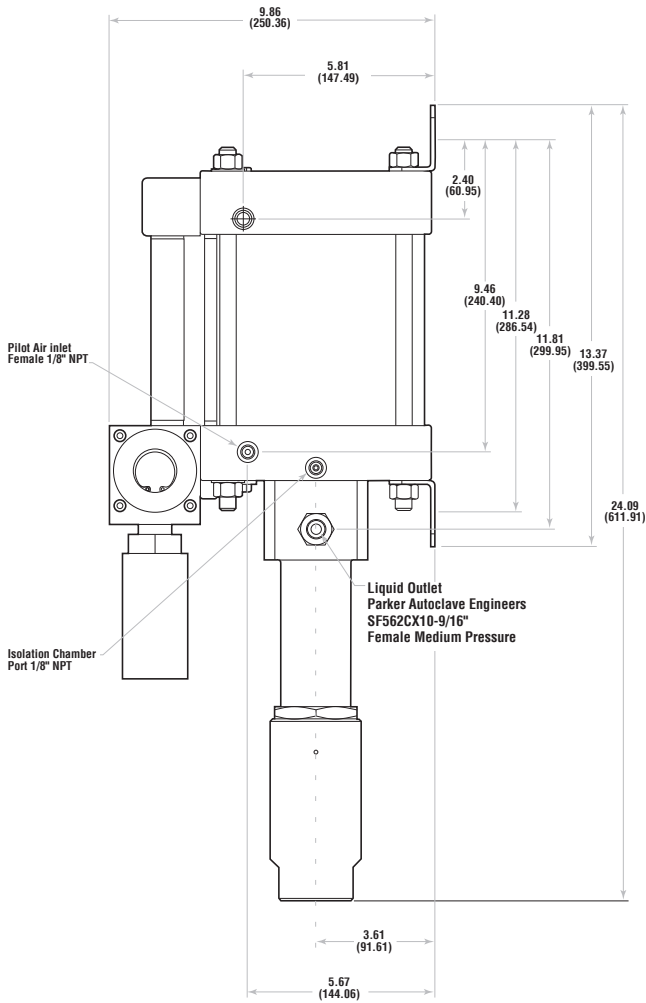
Air-Driven, High Pressure Liquid Pump - Series AFL35-1D



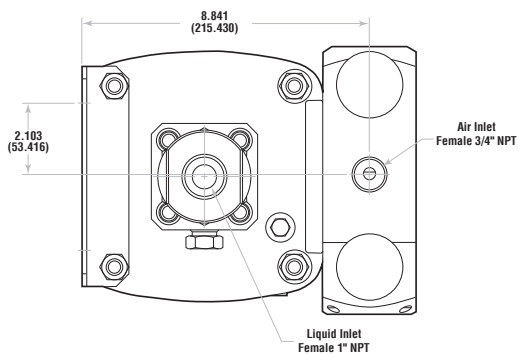
Proudly Distributed By

TRIDENT AUSTRALIA
FLUID SYSTEMS & COMPONENTS

Dimensional Data:



Right View

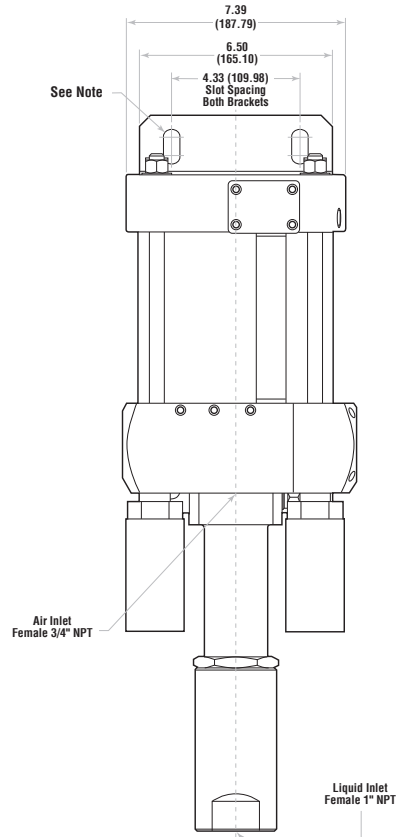


Bottom View

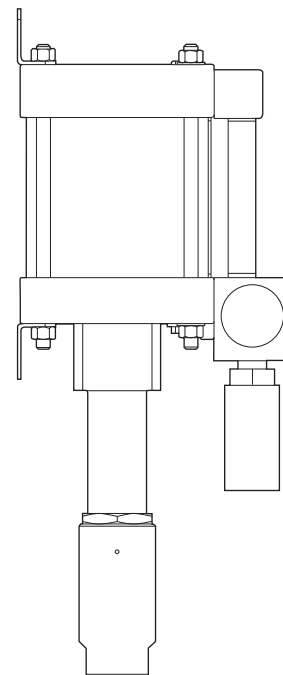
Note:

Each Mounting Bracket includes (2) x 9/16" (14.29) slots for 1/2" Bolts.
 All dimensions are for reference only and are subject to change without notice.
 Primary Dimensions: Inches
 Secondary Dimensions: (Millimeters)

Air-Driven, High Pressure Liquid Pump - Series AFL35-1D



Front View



Left View

Technical Specifications & Performance Data

Air-Driven, High Pressure Liquid Pump

Series AFL60-1D

Double-Acting, Single Ended, Single Piston Air Drive

Technical Data: Liquid Side Specifications

- Service: Oil, Water or Water/Oil mixture and other fluids depending on material compatibility
- Maximum Outlet Pressure: 10,000 psi (690 bar)
- Air to Liquid Pressure Ratio: 1:70
- Isolation Chamber (prevents process contamination of air section): Standard
- Volume Displacement Per Stroke: 3.40 in³ (55.7cm³)
- Inlet Connection: 1" NPT
- Outlet Connection: Parker Autoclave Engineers SF562CX10-9/16" Female Medium Pressure

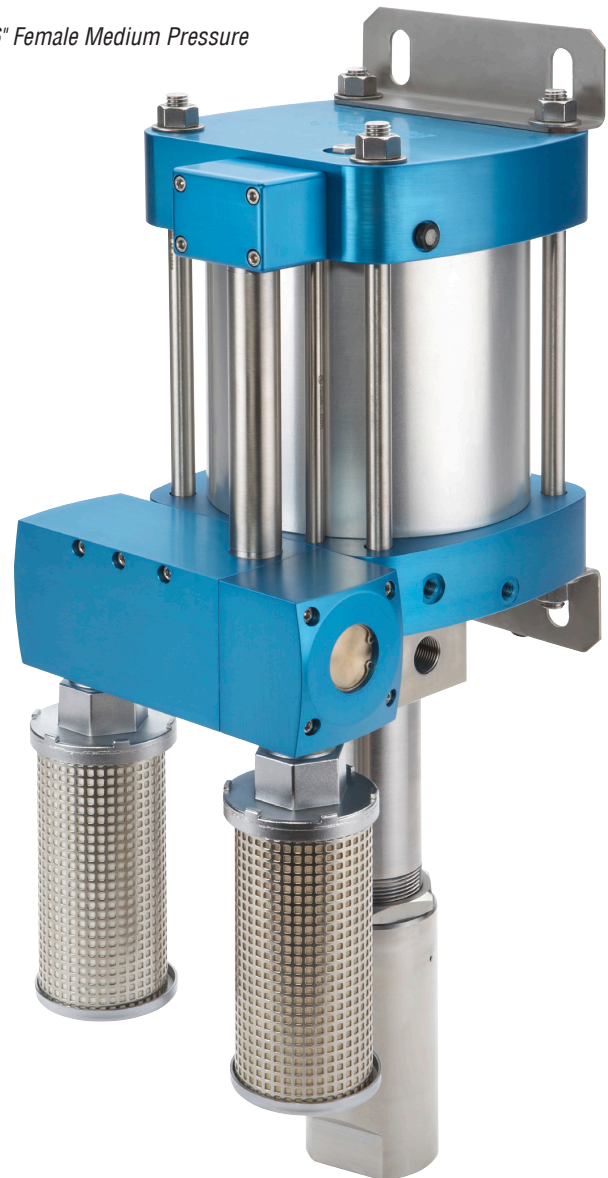
Technical Data: Air Side Specifications

- Air Drive Pressure Range: 15-150 psi (1-10 bar) *See note
- Nominal air pressure required for 10,000 psi (690 bar) output pressure is 143 psi (9.9 bar)
- Inlet Port: 3/4" FNPT
- Pilot Port: 1/8" FNPT (unregulated air)
- Exhaust Port (muffler removed): 1" NPT
- Max Air Consumption @ 90 psi: 167 SCFM
- Prelubricated at Factory

General Specifications

- Maximum Operating Temperature: 0-140° F (-18° to 60° C)
- Net Weight: 51.8 lbs. (23.5 kg)
- Pressure Head: 15-5 PH Stainless Steel
- Stainless steel plunger utilizing a proprietary multi-layer carbon based coating with diamond like carbon exterior layer - 3 times the hardness of stellite with a coefficient of friction equal to/less than PTFE
- Check Valve Glands: 316 Stainless Steel
- Liquid Seal: UHMWPE U-Cup with FKM O-rings
- Air Drive Seals: Buna N

Note: Maximum air drive pressure is limited by maximum output pressure.



Double-Acting, Single Piston Air Drive



MADE IN THE U.S.A.



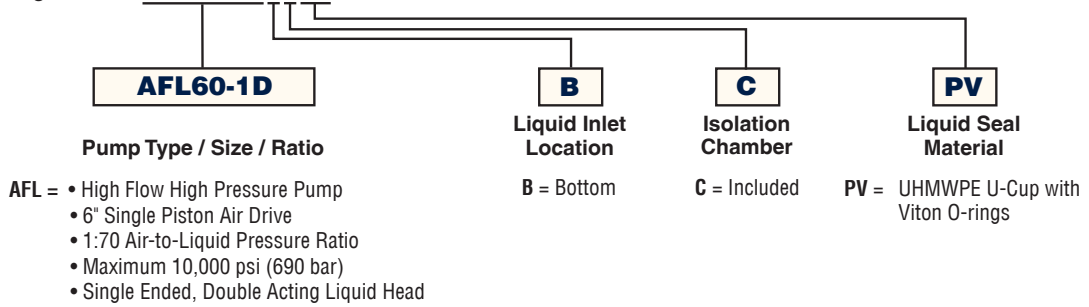
Proudly Distributed By

TRIDENT AUSTRALIA
FLUID SYSTEMS & COMPONENTS

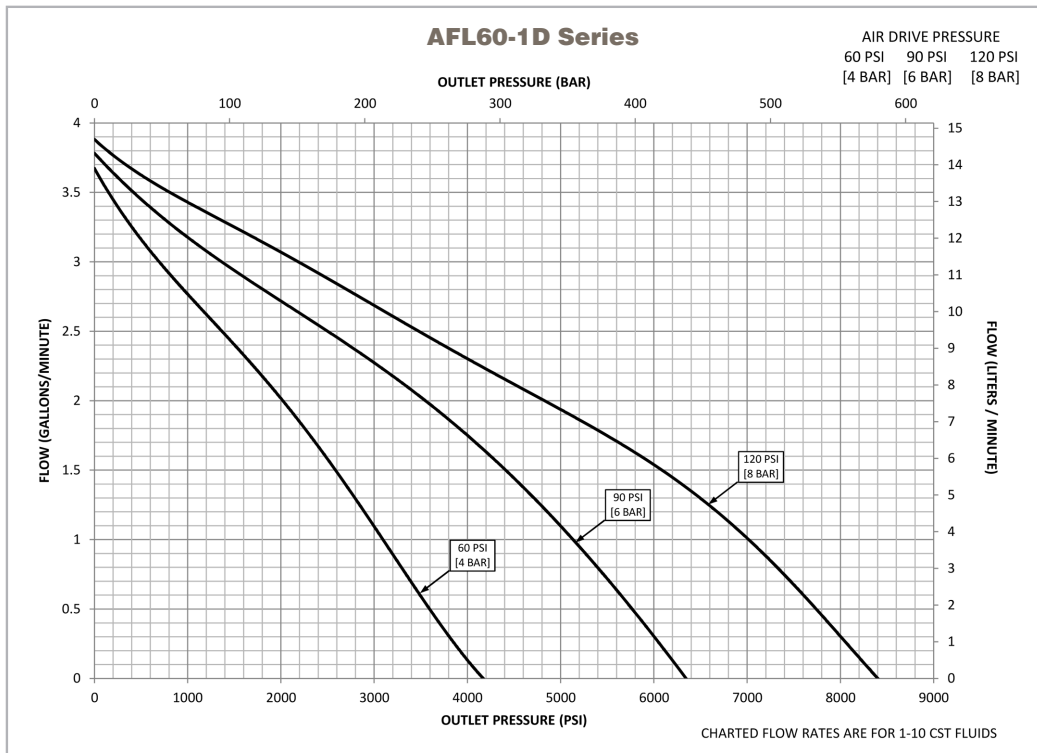
Ordering Guide:

For complete information on available pump options, contact Parker Autoclave Engineers.

Typical catalog number: **AFL60-1DBCVP**



Flow Rate vs. Outlet Pressure:



Actual flow rates will vary depending on air flow capacity, downstream flow restrictions, and fluid type.

Technical Specifications & Performance Data

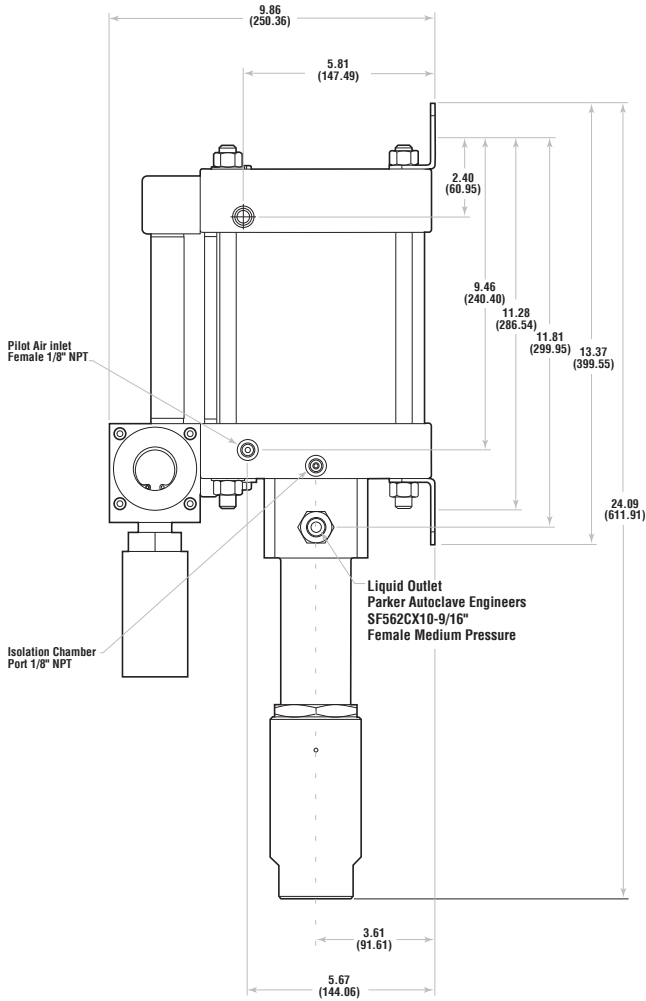
Air-Driven, High Pressure Liquid Pump - Series AFL60-1D



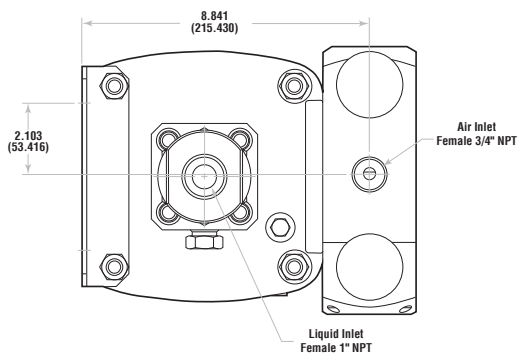
Proudly Distributed By

TRIDENT AUSTRALIA
FLUID SYSTEMS & COMPONENTS

Dimensional Data:



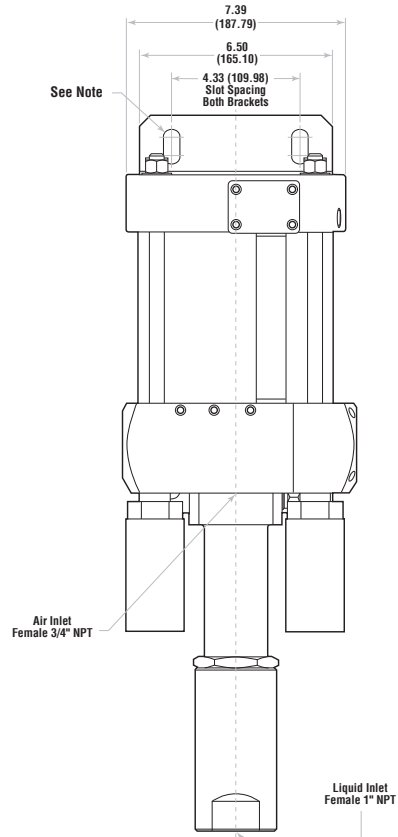
Right View



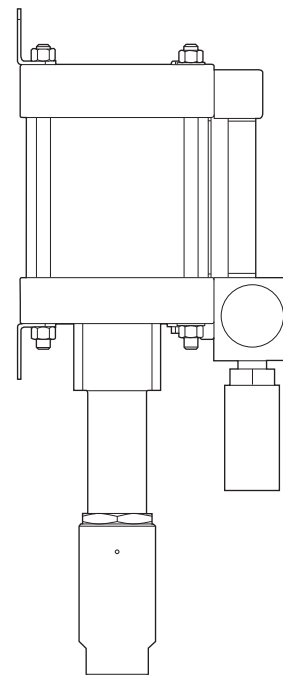
Bottom View

Note:

Each Mounting Bracket includes (2) x 9/16" (14.29) slots for 1/2" Bolts.
 All dimensions are for reference only and are subject to change without notice.
 Primary Dimensions: Inches
 Secondary Dimensions: (Millimeters)



Front View



Left View

Air-Driven, High Pressure Liquid Pump - Series AFL60-1D

Technical Specifications & Performance Data

Air-Driven, High Pressure Liquid Pump

Series AFL100-1D

Double-Acting, Single Ended, Single Piston Air Drive

Technical Data: Liquid Side Specifications

- Service: Oil, Water or Water/Oil mixture and other fluids depending on material compatibility
- Maximum Outlet Pressure: 15,000 psi (1034 bar)
- Air to Liquid Pressure Ratio: 1:113
- Isolation Chamber (prevents process contamination of air section): Standard
- Volume Displacement Per Stroke: 2.30 in³ (37.7 cm³)
- Inlet Connection: 1" NPT
- Outlet Connection: Parker Autoclave Engineers SF562CX10-9/16" Female Medium Pressure

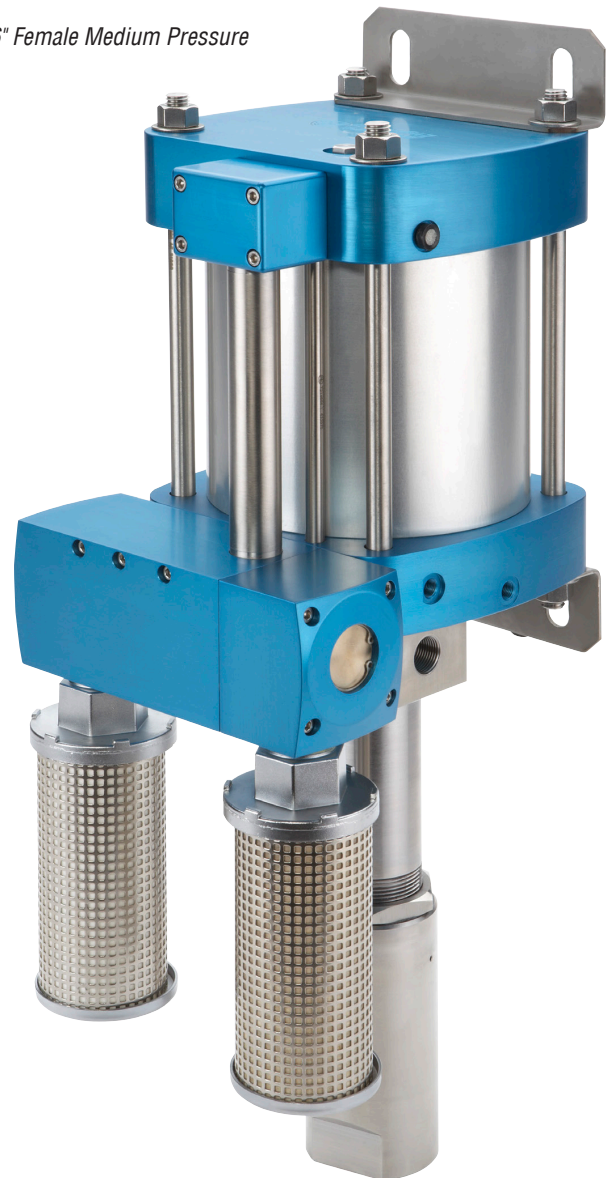
Technical Data: Air Side Specifications

- Air Drive Pressure Range: 15-150 psi (1-10 bar) *See note
- Nominal air pressure required for 15,000 psi (1034 bar) output pressure is 132.75 psi (9.15 bar)
- Inlet Port: 3/4" FNPT
- Pilot Port: 1/8" FNPT (unregulated air)
- Exhaust Port (muffler removed): 1" NPT
- Max Air Consumption @ 90 psi: 167 SCFM
- Prelubricated at Factory

General Specifications

- Maximum Operating Temperature: 0-140° F (-18° to 60° C)
- Net Weight: 51.8 lbs. (23.5 kg)
- Pressure Head: 15-5 PH Stainless Steel
- Stainless steel plunger utilizing a proprietary multi-layer carbon based coating with diamond like carbon exterior layer - 3 times the hardness of stellite with a coefficient of friction equal to/less than PTFE
- Check Valve Glands: 316 Stainless Steel
- Liquid Seal: UHMWPE U-Cup with FKM O-rings
- Air Drive Seals: Buna N

Note: Maximum air drive pressure is limited by maximum output pressure.



Double-Acting, Single Piston Air Drive



MADE IN THE U.S.A.



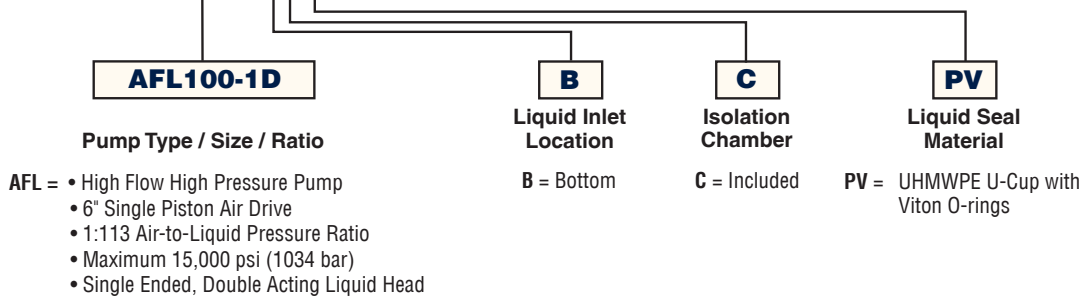
Proudly Distributed By

TRIDENT AUSTRALIA
FLUID SYSTEMS & COMPONENTS

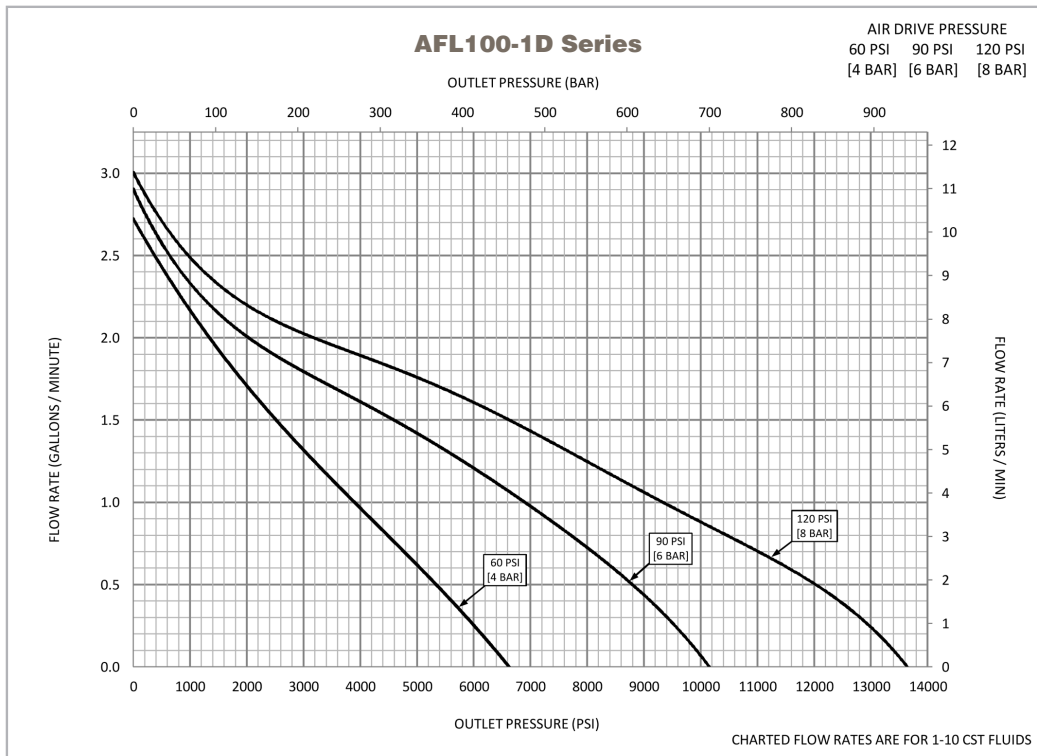
Ordering Guide:

For complete information on available pump options, contact Parker Autoclave Engineers.

Typical catalog number: **AFL100-1DBCPV**



Flow Rate vs. Outlet Pressure:



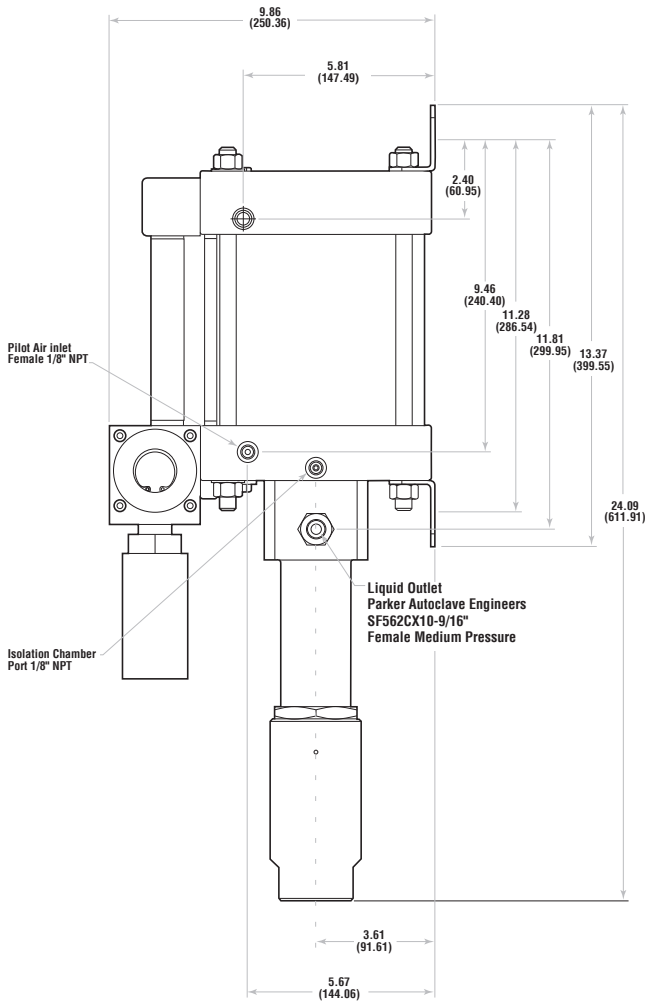
Actual flow rates will vary depending on air flow capacity, downstream flow restrictions, and fluid type.



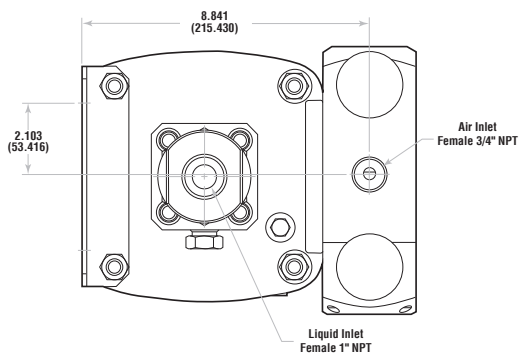
Proudly Distributed By

TRIDENT AUSTRALIA
FLUID SYSTEMS & COMPONENTS

Dimensional Data:



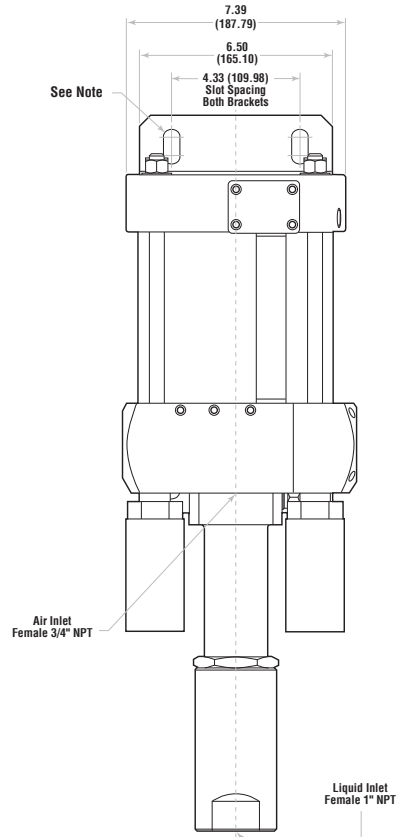
Right View



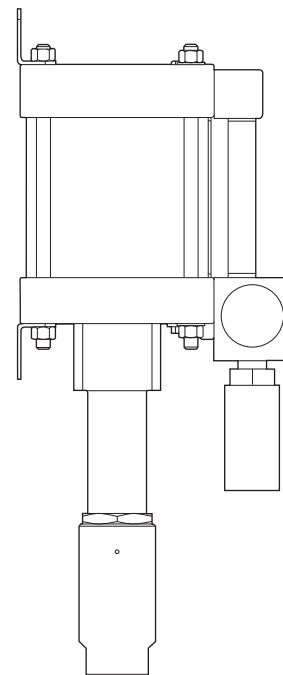
Bottom View

Note:

Each Mounting Bracket includes (2) x 9/16" (14.29) slots for 1/2" Bolts.
 All dimensions are for reference only and are subject to change without notice.
 Primary Dimensions: Inches
 Secondary Dimensions: (Millimeters)



Front View



Left View

Air-Driven, High Pressure Liquid Pump - Series AFL100-1D

Technical Specifications & Performance Data