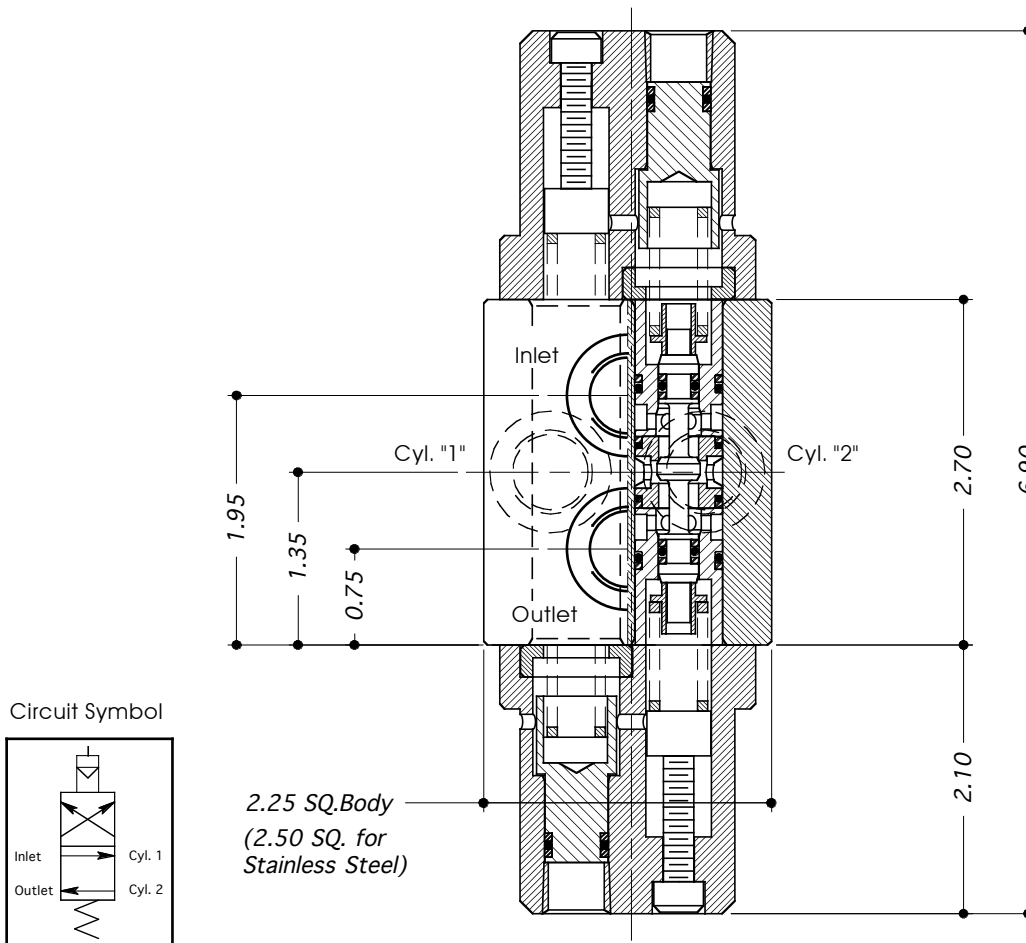




Valves Ltd

## DIRECTIONAL CONTROL VALVE TYPE: 6B37-H

- 2 POSN / 4 PORTED MILD STEEL - ENP (EN1A / 220M07) VALVE WITH ACTUATOR TYPE "H" FITTED.
- BODY MATERIAL OPTION: STAINLESS STEEL (316 / 1.4404)
- SUITABLE FOR LIQUID USE.
- FITTED WITH "HARD" SEATS.
- ALL DIMENSIONS IN INCHES.



TECHNICAL SPECIFICATION		ORDERING EXAMPLE
Material Option (non-std)	<b>S</b> = Stainless Steel (316/1.4404)	—
Valve Type:	<b>6B37-H</b>	<b>6B37-H</b>
Porting / Connection Options:	<b>P</b> = BSP (Parallel) <b>N</b> = NPT (Taper)	<b>N</b>
Max. Working Press: Liquid	<b>10,000 psi</b>	<b>10K</b>
Port Size:	3/8"	
Actuator:	Type: H (1,000 to 9,000 psi)	
Valve Seat Mat'l: Liquid	Stainless Steel - 431/1.4057	
Seal Material:	Viton (other materials available by request)	
CV Value:	0.44	
Dry Weight: (kg)	4.0	
Working Temperature Range:	-10°C to +120°C	

**NOTE:** Both Actuators are pressurised simultaneously for valve operation.