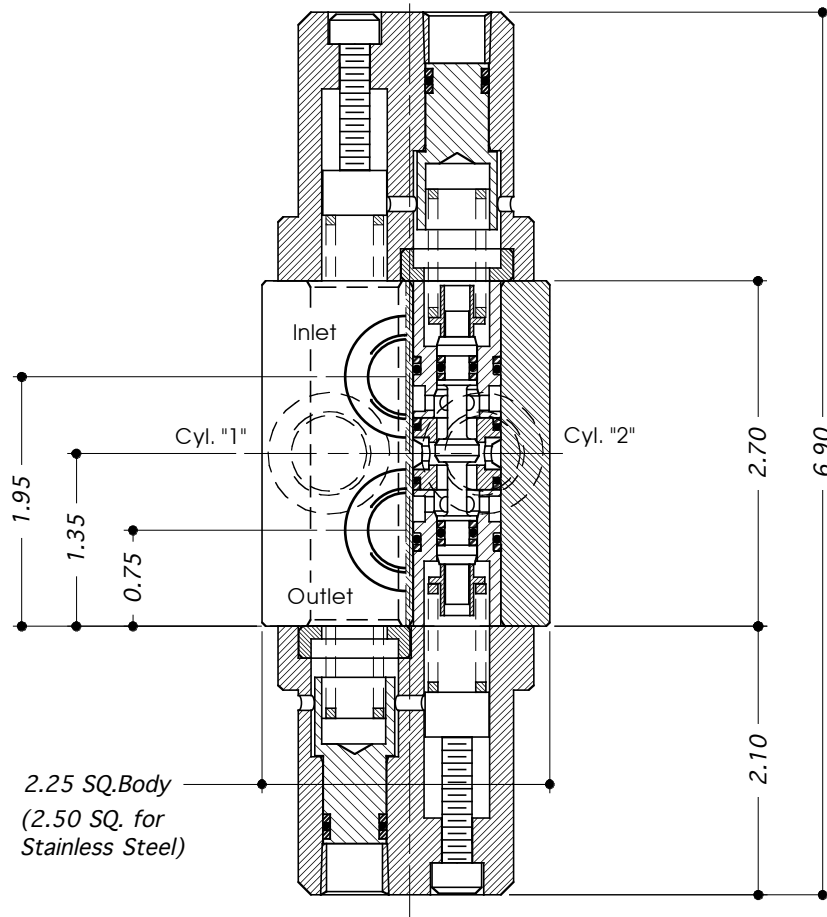




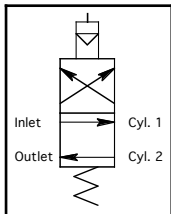
DIRECTIONAL CONTROL VALVE TYPE: 6B37-H-G



- 2 POSN / 4 PORTED MILD STEEL - ENP (EN1A / 220M07) VALVE WITH ACTUATOR TYPE "H" FITTED.
- BODY MATERIAL OPTION: STAINLESS STEEL (316 / 1.4404)
- SUITABLE FOR LIQUID OR GAS USE.
- FITTED WITH "SOFT" SEATS.
- ALL DIMENSIONS IN INCHES.



Circuit Symbol



TECHNICAL SPECIFICATION		ORDERING EXAMPLE
Material Option (non-std)	S = Stainless Steel (316/1.4404)	—
Valve Type:	6B37-H-G	6B37-H-G
Porting / Connection Options:	P = BSP (Parallel) N = NPT (Taper)	N
Max. Working Press: Liquid/Gas	6,000 psi / 3,500 psi	6K
Port Size:	3/8"	
Actuator:	Type: H (1,000 to 3,100 psi)	
Soft Seated Valve:	G	
Valve Seat Mat'l: Liquid/Gas	Torlon	
Seal Material:	Viton (other materials available by request)	
CV Value:	0.44	
Dry Weight: (kg)	4.0	
Working Temperature Range:	-10°C to +80°C	

NOTE: Both Actuators are pressurised simultaneously for valve operation.