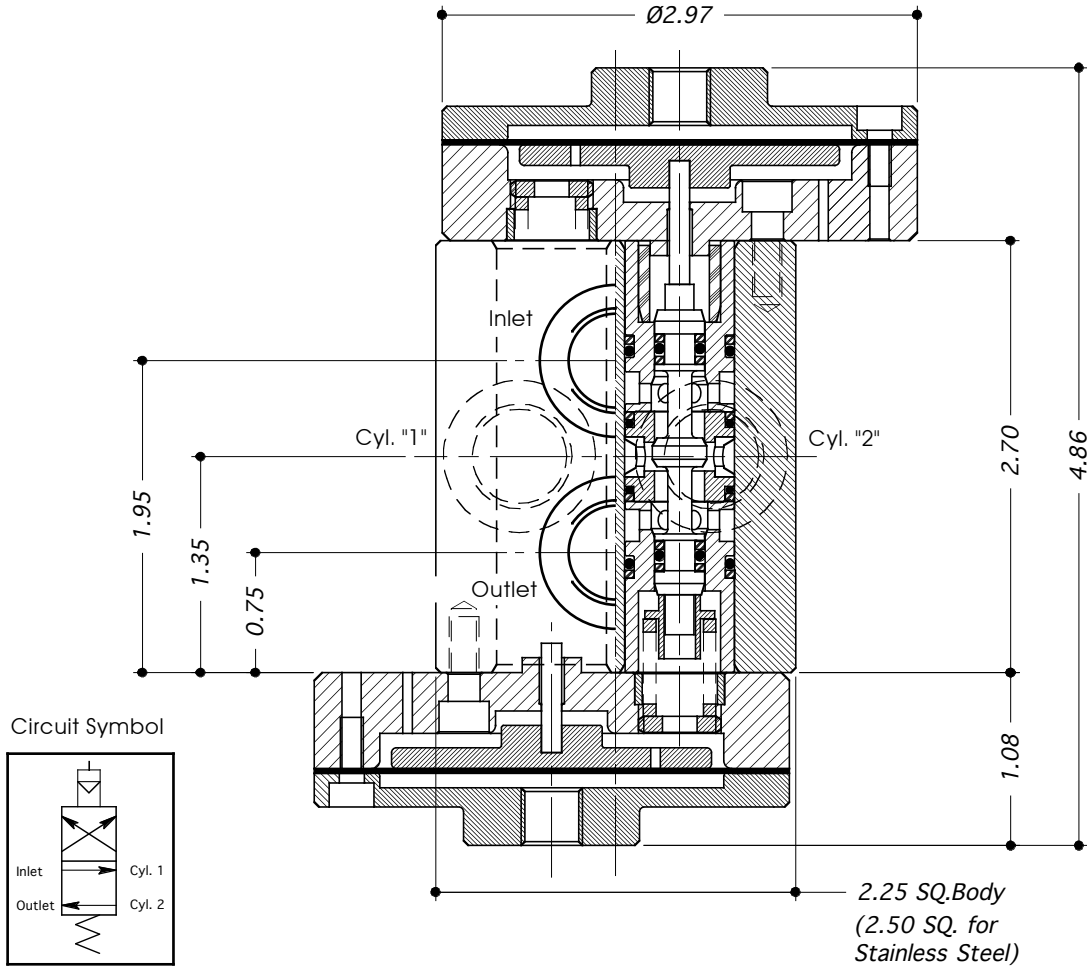




Valves Ltd

## DIRECTIONAL CONTROL VALVE TYPE: 6B37-A3

- 2 POSN / 4 PORTED MILD STEEL - ENP (EN1A / 220M07) VALVE WITH ACTUATOR TYPE "A3" FITTED.
- BODY MATERIAL OPTION: STAINLESS STEEL (316 / 1.4404)
- SUITABLE FOR LIQUID USE.
- FITTED WITH "HARD" SEATS.
- SEE SECTION 12 FOR DETAILS OF TYPE "A3" ACTUATOR.
- ALL DIMENSIONS IN INCHES.



TECHNICAL SPECIFICATION		ORDERING EXAMPLE
Material Option (non-std)	S = Stainless Steel (316/1.4404)	—
Valve Type:	<b>6B37-A3</b>	<b>6B37-A3</b>
Porting / Connection Options:	P = BSP (Parallel)    N = NPT (Taper)	<b>N</b>
Max. Working Press: Liquid	<b>10,000 psi</b>	<b>10K</b>
Port Size:	3/8"	
Actuator:	Type: A3 (60 to 150 psi)	
Valve Seat Mat'l: Liquid	Stainless Steel - 431/1.4057	
Seal Material:	Viton (other materials available by request)	
CV Value:	0.44	
Dry Weight: (kg)	5.5	
Working Temperature Range:	-10°C to +100°C	

**NOTE:** Both Actuators are pressurised simultaneously for valve operation.