



Proudly Distributed By

TRIDENT AUSTRALIA
FLUID SYSTEMS & COMPONENTS

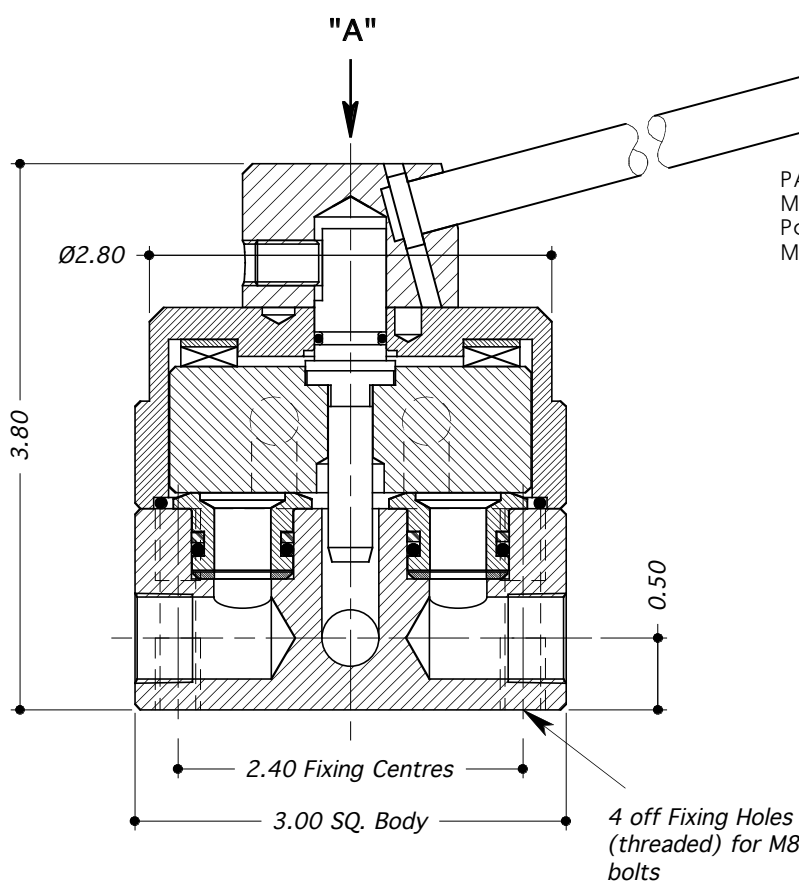
ROTARY CONTROL VALVE TYPE: 4R37



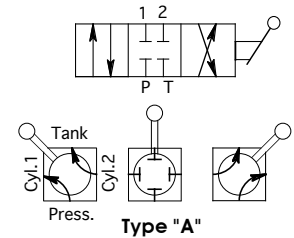
Valves Ltd

- 4 PORTED LEVER OPERATED STAINLESS STEEL (316 / 1.4404) VALVE. (SOME CARBON STEEL INTERNAL PARTS)
- SUITABLE FOR LIQUID USE.
- SPECIFY "FLOW PATTERN TYPE" WHEN ORDERING.
- ALL "FLOW DIAGRAMS" ARE VIEWED ON ARROW "A".
- ALL DIMENSIONS IN INCHES.

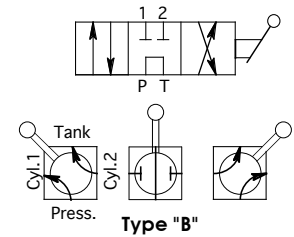
Handle Length 5.0" Approx.
Handle travel:- 90°



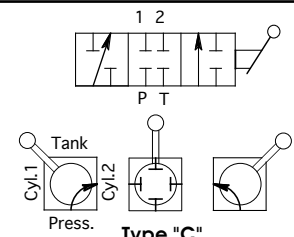
PANEL MOUNTING OPTION:- Ø2.85"
Min Hole required in panel.
Panel thickness 3mm - 6mm Thick.
M8 Panel Studs included.



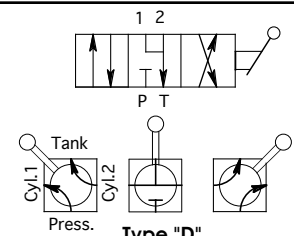
Type "A"



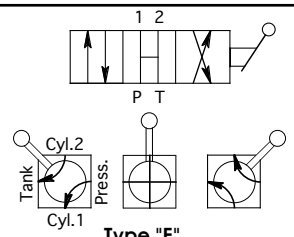
Type "B"



Type "C"



Type "D"



Type "E"

TECHNICAL SPECIFICATION		ORDERING EXAMPLE
Valve Type:	4R37	4R37
Porting / Connection Options:	P = BSP (Parallel) N = NPT (Taper) M = Manifold	N
Flow Pattern:	A, B, C, D, E (see flow diagrams)	A
Valve Options:	PM = Panel Mounted	—
Max. Working Pressure: Liquid	6,000 psi (1,450 psi MAX on Tank Port)	6K
Port Size:	3/8"	
Seal Material:	Viton (other materials available by request)	
CV Value:	1.37	
Dry Weight: (kg)	2.0	
Working Temperature Range:	-10°C to +100°C	